

...



{249}

TNC-D4013

SWITCHING POWER SUPPLY UNIT FOR 24 V SUPPLY

Controlled power supply for sensors, actuators, sensor electronics and controller

- High efficiency of > 84 %
- Input and output with overvoltage protection
- Can be attached to a mounting rail, no tools required
- Output voltage adjustable up to 28 V DC
- Overload protection, up to 1.5 × nominal current
- Very high efficiency, hence very low heat buildup
- LED for secondary voltage

General Information

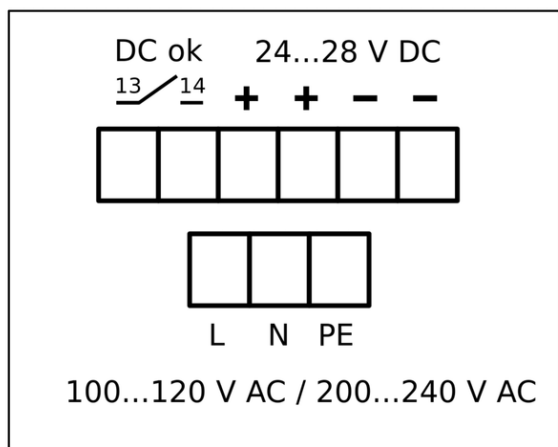


Application

- Switching power supply unit TNC-D4013 (24 V DC; 10 A)
- Power supply for AS-i controllers as well as for operating and display units
- Very high efficiency of 91.6 %
- Low ripple voltage, < 30 mV
- High reliability

TECHNICAL INFORMATION

Description	TNC-D4013
Output current	10 A
Nominal voltage	< 230 V AC
Input voltage range	100 - 120 V AC/200 - 240 V AC
Nominal frequency	47 - 64 Hz
Efficiency	91.6 %
TROX casing	Sheet steel
Protection level	IP 20
IEC protection class	I (protective earth)
Connection	Screw terminals
Temperature range	-25 - +70 °C
Derating	6 W/K (60 - 70 °C)
Output voltage	24 - 28 V DC ($\pm 2\%$) to SELV/PELV
Max. ripple voltage	50 mV
Mains buffering time	47 ms
Short-circuit protection / overload protection	Yes
EMC	EN 61000-6-1; EN 61000-6-2; EN 61000-6-4
LEDs	DC OK; 1 x LED, green
Weight	875.5 g
Dimensions	164 x 62 x 122.5 mm



Specification text

- Switching power supply unit TNC-D4013 for supplying power to the controller or text display
- Nominal voltage: < 230 V AC
- Output voltage: 24 – 28 V DC ($\pm 2\%$), SELV/PELV
- Output current: 10 A
- Nominal frequency: 47 – 64 Hz
- Efficiency: 91.6 %
- Connection: screw terminals
- Casing materials: galvanised sheet steel
- Ambient temperature: -25 to +70 °C
- Protection level: IP 20
- Status display: DC OK, 1 × LED
- Make: TROX GmbH or equivalent
- Type: TNC-D4013

TNC

-
|
1

D1030

1 Type

TNC-D1030 Output current 1.25 A

TNC-D4011 Output current 3.3 A

TNC-D4012 Output current 5 A

TNC-D4013 Output current 10 A