

...



TNC-A1256

## TNC-A1256

### AS-I SYSTEM VOLTAGE FOR MASTER, SENSORS, ACTUATORS, AND MODULES

AS-Interface power supply units for power supply and unimpaired data transmission

- High efficiency of 88 % or 90.9 %
- Low ripple, < 50 mV or < 100 mV
- Input and output with overvoltage protection
- With short circuit, idle and overload protection
- Increased operational reliability due to the bridging of voltage drops
- Very high efficiency, hence very low heat build-up
- LED for secondary voltage
- Power supply units meet the requirements of VDE 0106 for AS-i networks

## Application

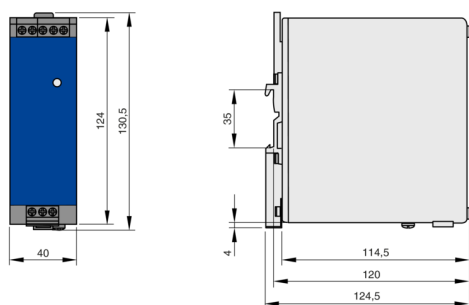


### Application

- AS-i power supply unit TNC-1256 (2.8 A) with data decoupling
- Voltage supply for sensors, actuators and modules
- For systems where the power supply is not provided by AS-i
- Very high efficiency of 88 %
- Low ripple, < 50 mV
- High reliability

## TECHNICAL INFORMATION

### Power supply unit TNC-A1256



Description	TNC-A1256
Output current	2.8 A
Nominal voltage, primary	115/230 V AC (switching is possible)
Input voltage range	100 – 120/200 – 240 V AC; $\pm 10\%$ ; automatic switching between ranges
Nominal frequency	50/60 Hz
Efficiency	86.9 % (120 V AC; 60 Hz)/88 % (230 V AC; 50 Hz)
Casing	Sheet steel
Protection level	IP 20
Connection	Screw terminals
Temperature range	-25 to 70 °C
Derating	0 W/K (60 – 70 °C)
Output voltage	30.5 DC
Power ON delay time	$\leq 900$ ms
Residual ripple	$< 50$ mV
Mains buffering time	98 ms (120 V AC; 60 Hz)/96 ms (230 V AC; 50 Hz)
With short circuit protection / overload protection	Yes
EMC	EN 61000-6-1; EN 61000-6-2; EN 61000-6-4
MTBF	801000 h
AS-i certificate	98701
Status LED	Green (display of AS-i voltage)
Fixing	On mounting rail

#### Standard description (characteristics)

AS-i power supply units, 115/230 V AC, with data decoupling, ensure power supply for master, sensors, actuators and modules.

- Nominal voltage: 115/230 AC V
- Nominal frequency: 50/60 Hz
- Efficiency: 88 %
- Connection: Screw terminals
- Casing materials: Galvanised sheet steel
- Ambient temperature: -25 to 70 °C
- Protection level: IP 20
- Function LED: Green (display of AS-i voltage)
- Make: TROX GmbH or equivalent
- Type: TNC-A1256

...

# TNC – A1256



**1** Power supply unit

**TNC-A1256** Output current

2.8 A

**TNC-A1258** Output current 8 A