

...



TNC-Z0119



TNC-Z0119

PASSIVE BUS TERMINATION WITH FLAT CABLE CONNECTOR TO MAKE A CONNECTION TO THE AS-I FLAT CABLE. BUS TERMINATION TO IMPROVE THE SIGNAL QUALITY AND TO EXTEND THE AS-I CABLE NETWORK CABLE EXTENSION UP TO 200 M

Controller for controlling actuators and for monitoring the damper blade position and duct smoke detectors

- Controller with TROXNETCOM Basic User Software
- Easy and safe commissioning without programming
- Controller with master function for stand-alone operation
- System monitoring
- Automatic recognition of components and their status
- Menu-driven user interface (controller display) for system configuration
- Peripheral equipment can be tested without additional auxiliary equipment

Application

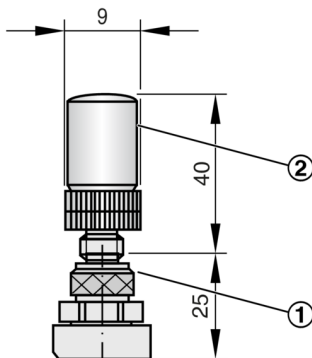


Application

- Passive bus termination
- Cable extension up to 200 m without additional repeater
- Improved signal quality
- Supply voltage monitoring with 2 LEDs
- Connection to AS-i cable with flat cable connector
- Can only be used when actuators have a separate voltage supply

TECHNICAL INFORMATION

AS-i passive bus termination TNC-Z0119



- ① TNC-70096
- ② TNC-A1147

Description	TNC-Z0119 (TNC-A1147 + TNC-70096)
Type	TNC-A1147
Supply voltage	26.5 – 31.6 V DC
Current consumption	< 10 mA
Galvanically isolated	Yes
Status LED	Yellow = AS-i voltage > 18.5 V; green = AS-i voltage > 26 V
Ambient temperature	–25 to 70 °C
Protection level	IP 67
MTTF	550 years
Connection	Flat cable insulation displacement connector
Note	No addressing required
Type	TNC-70096
Max. current load	2 A
Ambient temperature	–25 to 75 °C
Protection level	IP 67
Casing material	PA
Note	No addressing required

Standard description (characteristics)

Passive bus termination (TNC-A1147) with flat cable connector (TNC-70096) to make a connection to the AS-i flat cable. Bus termination to improve the signal quality and to extend the AS-i cable network Cable extension up to 200 m.

- Supply voltage: 26.5 – 31.6 V DC
- Current consumption: < 10 mA
- Max. current load: 2 A
- Ambient temperature: –25 to 70 C°
- Protection level: IP 67
- Make: TROX GmbH or equivalent
- Type: TNC-Z0019

...

TNC – A1305



1 Component

TNC-A1305	Controller with PROFIBUS DP interface; 1 master
TNC-A1306	Controller with PROFIBUS DP interface; 2 masters
TNC-A1353	Controller with Modbus/TCP interface; 1 master
TNC-A1354	Controller with Modbus/TCP interface; 2 masters
TNC-A1375	Gateway with PROFIBUS DP interface; 1 master
TNC-A2225	Repeater
TNC-ZB0252	AS-i safety gateway
TNC-Z0119	Passive bus termination
TNC-A1146	AS-i tuner (diagnosis module)

TROX GmbH



Heinrich-Trox-Platz
D-47504 Neukirchen-Vluyn
Tel.: +49 (0)2845 202-0
Fax: +49 (0)2845 202-265

myTROX Services

- › Order-Status
- › TROX Academy
- › Catalogue Download
- › Your contact partner
- › Online fault report
- › BIM

Service-Hotlines

Sales Germany
and technical consulting
+49 (0)2845 202-0
[Contact](#)

Technical service
+49 (0)2845 202-400
[Contact](#)

TROX IN SOCIAL WEB