

...



TNC-Z0045

## TNC-Z0045

**AS-I ADDRESSING DEVICE FOR COMMISSIONING AND DIAGNOSIS, EASY SLAVE ADDRESSING. COMPACT DEVICE WITH INTEGRAL UNIVERSAL ADAPTER, INCLUDING CABLE.**

Compact device for addressing slaves and writing slave parameters

- Display of all slaves on a bus
- Reading and writing slave data and slave parameters
- Reading of safety codes (AS-i Safety at Work)
- Connection of different modules using a universal adapter

## Application

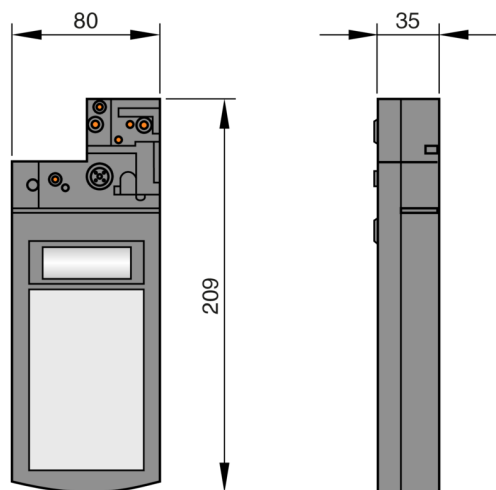


### Application

- TROX AS-i addressing device TNC-Z0045 for the addressing of active AS-i modules and intelligent sensors and actuators
- Display of all slaves on a bus
- Reading and writing slave data and slave parameters
- Compact device, with battery pack

## TECHNICAL INFORMATION

## AS-i addressing device TNC-Z0045



Description	TNC-Z0045
Keypad	5 push buttons, protected by a membrane
Display	LC display, seven segments
AS-i interfaces	M12 and universal adapter
Interfaces, external voltage supply	Jack socket, 2.1 mm
Connection	Min. 1 AS-i slave, max. 62 slaves
Power supply	Integral battery pack
Operating time	With fully charged battery pack: approx. 8 h; this equals approx. 250 write/read actions
Charger	230 V AC
Charging time	Approx. 12 h
Protection level	IP 20
Accessories	Addressing plug TNC-70213, addressing cable TNC-11452

### Standard description (characteristics)

AS-i addressing device for commissioning and diagnosis, easy slave addressing. Compact device with integral universal adapter, including cable.

# TNC – Z0045



## **1** Component

**TNC-Z0045** Addressing device  
**TNC-A1145** AS-i system  
tester