



**SECONDARY SILENCER
TYPE TS**



TESTED TO VDI 6022

TYPE TS

FOR THE REDUCTION OF AIR-REGENERATED NOISE OF AIR TERMINAL UNITS TYPE TVZ, TVA, TZ-SILENZIO, TA-SILENZIO OR TVM

Rectangular secondary silencers for the reduction of air-regenerated noise of air terminal units Type TVZ, TVA, TZ-Silenzio, TA-Silenzio or TVM

- Absorption material is non-combustible mineral wool with RAL quality mark, biosoluble and hence hygienically safe according to the German TRGS 905 (Technical Rules for Hazardous Substances) and EU directive 97/69/EG
- Mineral wool faced with glass fibre fabric as protection against erosion due to airflow velocities up to 20 m/s
- Insertion loss measured according to ISO 7235
- Casing air leakage to EN 15727, class B

Application

Application

- Secondary silencers of Type TS to reduce the air-regenerated noise of air terminal units
- For air terminal units TVZ, TVA, TZ-Silenzio, TA-Silenzio, and TVM

Nominal sizes

- 125, 160, 200, 250, 315, 400

Description

Parts and characteristics

- Casing
- Absorption material

Construction features

- Rectangular casing
- Connection on the room end suitable for air duct profiles
- Thermal and acoustic insulation (lining)

Materials and surfaces

- Casing made of galvanised sheet steel
- Lining is mineral wool

Mineral wool

- To EN 13501, fire rating class A1, non-combustible
- RAL quality mark RAL-GZ 388
- Biosoluble and hence hygienically safe according to the German TRGS 905 (Technical Rules for Hazardous Substances) and EU directive 97/69/EG
- Faced with glass fibre fabric as protection against erosion through airflow velocities of up to 20 m/s
- Inert to fungal and bacterial growth

Standards and guidelines

- Hygiene conforms to VDI 6022
- Casing air leakage to EN 15727, class B

Maintenance

- Maintenance-free as construction and materials are not subject to wear

TECHNICAL INFORMATION

Specification text, Order code

Rectangular secondary silencers for VAV terminal units to reduce the air-regenerated noise, available in 6 nominal sizes

Casing with acoustic and thermal insulation.

Flanges on both sides, suitable for duct connection.

Casing air leakage to EN 15727, class B.

Complies with VDI 2083, clean room class 3, and US standard 209E, class 100. Hygiene complies with VDI 6022, DIN 1946, part 4, as well as EN 13779 and VDI 3803.

Materials and surfaces

- Casing made of galvanised sheet steel
- Lining is mineral wool

Mineral wool

- To EN 13501, fire rating class A1, non-combustible
- RAL quality mark RAL-GZ 388
- Biosoluble and hence hygienically safe according to the German TRGS 905 (Technical Rules for Hazardous Substances) and EU directive 97/69/EG
- Faced with glass fibre fabric as protection against erosion through airflow velocities of up to 20 m/s
- Inert to fungal and bacterial growth

Order example: TS/200

Nominal size	200 mm
--------------	--------

TS / 200



1 Type

2 Nominal size

silencer

TS Secondary

125

160

200

250

315

400

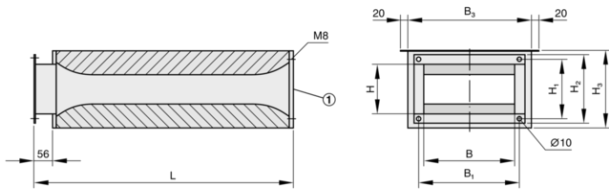
Dimensions and weight, Product details



Nominal size	L mm	B ₃ mm	H ₃ mm	B mm	B ₁ mm	H mm	H ₁ mm	m kg
125	806	300	236	198	232	152	186	10
160	806	410	236	308	342	152	186	15

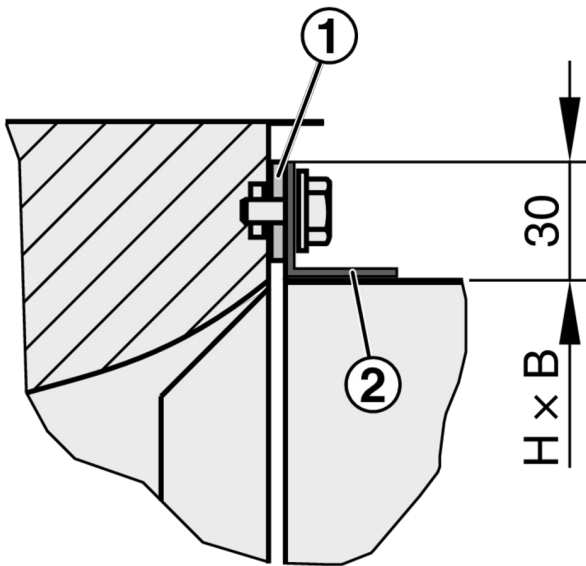
200	956	560	281	458	492	210	244	22
250	956	700	311	598	632	201	235	37
315	1056	900	361	798	832	252	286	42
400	1306	1000	446	898	932	354	388	50

TS



① End facing the room

Detail of flange



① Compressible seal, to be provided by others
② Flange

Installation details, Basic information and nomenclature



Installation and commissioning

- Connection profiles fit air terminal units TVZ, TVA, TZ-Silenzio, TA-Silenzio, and TVM
- Return edges of the casing with drilled holes suitable for M10 threaded rods

TROX GmbH



Heinrich-Trox-Platz
D-47504 Neukirchen-Vluyn
Tel.: +49 (0)2845 202-0
Fax: +49 (0)2845 202-265

myTROX Services

- › [TROX Academy](#)

- › [Catalogue Download](#)

- › [Your contact partner](#)

- › [Online fault report](#)

- › [BIM](#)

Service-Hotlines

Sales Germany
and technical consulting
+49 (0)2845 202-0
[Contact](#)

Technical service
+49 (0)2845 202-400
[Contact](#)

TROX IN SOCIAL WEB
