



Multileaf dampers

Type JZ-*, explosion-proof construction

TROX GmbH
Heinrich-Trox-Platz
47504 Neukirchen-Vluyn, Ger-
many
Germany
Phone: +49 (0) 2845 2020
Fax: +49 (0) 2845 202265
E-mail: trox@trox.de
<http://www.troxtechnik.com>

Product overview

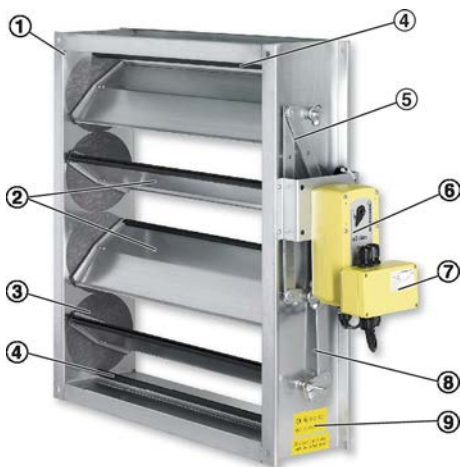


Fig. 1: Schematic illustration of JZ-HL

- | | | | |
|---|--|---|---|
| ① | Enclosure | ⑥ | Explosion-proof actuator (optional) |
| ② | Opposed blades (JZ-P*: parallel blades) | ⑦ | Explosion-proof terminal box |
| ③ | Blade tip seal (JZ-HL*, JZ-LL-* only) | ⑧ | External linkage |
| ④ | Travel stop (angle section with seal) (JZ-HL*, JZ-LL-* only) | ⑨ | Sticker showing approved zones with potentially explosive atmospheres |
| ⑤ | Transverse link | | |

Important notes

Information on the installation manual

This manual enables operating or service personnel to correctly install the product described below and to use it safely and efficiently.

It is essential that these individuals read and fully understand this manual before starting any work. The basic prerequisite for safe working is to comply with the safety notes and all instructions in this manual.

The local regulations for health and safety at work and general safety regulations also apply.

Qualified staff

The work described in this manual has to be carried out by individuals with the qualification, training, knowledge and experience described below:

HVAC technician

HVAC technicians are individuals who have sufficient professional or technical training in the field they are working in to enable them to carry out their assigned duties at the level of responsibility allocated to them and in compliance with the relevant guidelines, safety regulations and instructions. HVAC technicians are individuals who have in-depth knowledge and skills related to HVAC systems; they are also responsible for the professional completion of the work under consideration.

HVAC technicians are individuals who have sufficient professional or technical training, knowledge and actual experience to enable them to work on HVAC systems, understand any potential hazards related to the work under consideration, and recognise and avoid any risks involved.

Skilled qualified electrician

Skilled qualified electricians are individuals who have sufficient professional or technical training, knowledge and actual experience to enable them to work on electrical systems, understand any potential hazards related to the work under consideration, and recognise and avoid any risks involved.



Working in areas with potentially explosive atmospheres

The system owner may require that work in areas with potentially explosive atmospheres is carried out by individuals with additional qualifications. Any work requires that the system owner has been informed and agreed to it.

Limitation of liability

The information in this manual has been compiled with reference to the applicable standards and guidelines, the state of the art, and our expertise and experience of many years.

The manufacturer does not accept any liability for damages resulting from:

- Non-compliance with this manual
- Incorrect use
- Operation or handling by untrained individuals
- Unauthorised modifications

The actual scope of delivery may differ from the information in this manual for special constructions, additional order options or as a result of recent technical changes.

Copyright

This document, including all illustrations, photos, etc., is protected by copyright.

Any use of this document without the written consent of the manufacturer is an infringement of copyright; this applies in particular to disclosing this document to third parties, to publishing, copying, microcopying, or translating content, and to saving content on electronic systems or modifying it.

Violators will be held liable for any damage. The right to further claims remains reserved.

Personal protective equipment

Personal protective equipment must be worn for any work in order to reduce health or safety hazards to the minimum.

The appropriate protective equipment for a job must be worn for as long as the job takes.

Correct use

The multileaf damper is used in areas with potentially explosive atmospheres as a control element in the volume flow and pressure control in air conditioning systems, e.g. in ventilation plant rooms or ducting.

Approved zones with potentially explosive atmospheres:

CE  II 2 GD

A sticker on the multileaf damper shows the zones with potentially explosive atmospheres for which the damper has been approved.

Incorrect use**WARNING!****Danger due to incorrect use!**

Incorrect use of the unit can lead to dangerous situations.

Never use the unit:

- for process air control or shut-off
- outdoors without sufficient protection against the effects of weather
- in humid rooms
- in rooms with aggressive air

Transport and packaging**Transport****CAUTION!****Danger of injury from sharp edges, sharp corners and thin sheet metal parts!**

Sharp edges, sharp corners and thin sheet metal parts may cause cuts or grazes.

- Be careful when carrying out any work.
- Wear protective gloves, safety shoes and a hard hat.

Use only lifting and transport gear designed for the required load. Always secure the load against tipping and falling.

Upon delivery, carefully remove the packaging and check the unit for transport damage and completeness.

Storage

Please note:

- Store the unit only in its original packaging
- Protect the unit from the effects of weather
- Protect the unit from humidity, dust and contamination
- Storage temperature: -10 °C to 50 °C.
- Relative humidity: 95 % max., no condensation

Installation**General safety notes****CAUTION!****Danger of injury from sharp edges, sharp corners and thin sheet metal parts!**

Sharp edges, sharp corners and thin sheet metal parts may cause cuts or grazes.

- Be careful when carrying out any work.
- Wear protective gloves, safety shoes and a hard hat.

**NOTICE!****Contamination or damage will impair the function of the multileaf damper.**

Protect the multileaf damper from contamination and damage.

Personnel:

- HVAC technician

General installation information

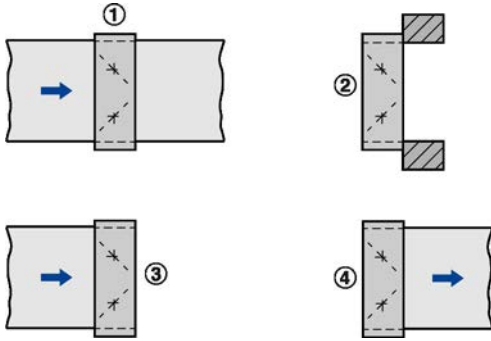


Fig. 2: Installation types

- ① Ducts on both sides
- ② Without duct (air transfer)
- ③ Duct on one side (air outlet)
- ④ Duct on one side (air inlet)

The multileaf damper is installed away from walls (in ducts), or adjacent to or on the face of walls and ceiling slabs.

Please note:

- Installation should be vertical and without torsion
- Installation in vertical or horizontal ducting
- Installation only with the blades horizontal; JZ-AL, JZ-HL-AL and JZ-LL-AL also with the blades vertical
- Any airflow direction
- Duct connection on one side or on both sides
- The function of the damper must be checked before installation.

CAUTION!

Danger of injury!

Danger of injury when reaching into the blades or the linkage of the multileaf damper.

Once the multileaf damper has been installed, people must be prevented from reaching into the damper, for example by a cover grille.

NOTICE!

Temperatures below the dew point

Temperatures below the dew point should be avoided as they lead to condensation which may cause damage to the building structure.

Duct installation

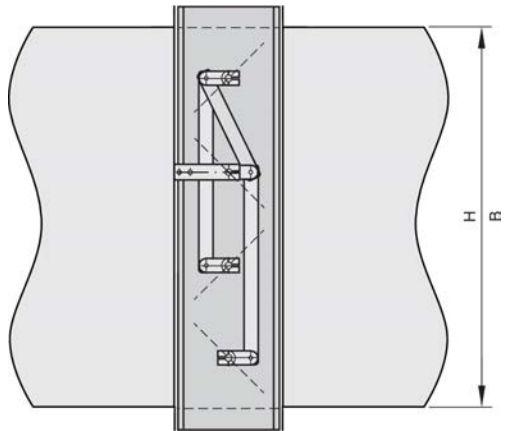


Fig. 3: Duct installation

Use screws (by others) to fix the multileaf damper to the duct. Due to its weight the multileaf damper must be supported, e.g. by a suspension system.

Wall/ceiling installation

Screw fix installation

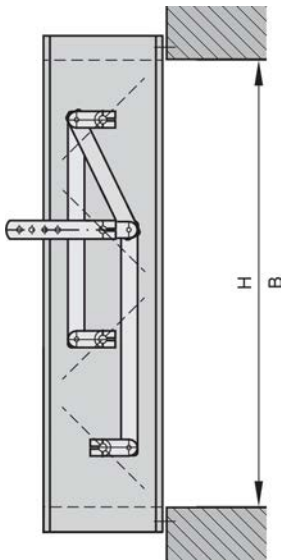


Fig. 4: Wall installation

Use suitable screws (by others) to attach the multi-leaf damper to the wall or ceiling slab.

Installation with installation subframe

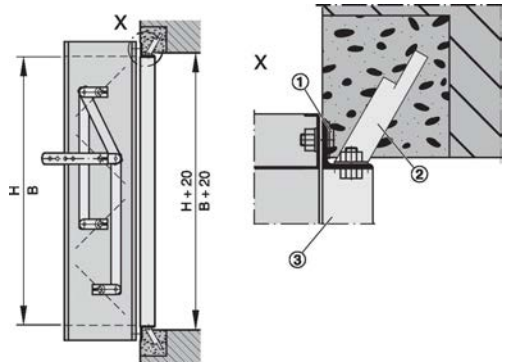


Fig. 5: Wall installation with installation subframe (steel/stainless steel construction)

- ① Threaded stud
- ② Fixing tab
- ③ Installation subframe

Items 1 to 3 are included in the installation subframe supply package

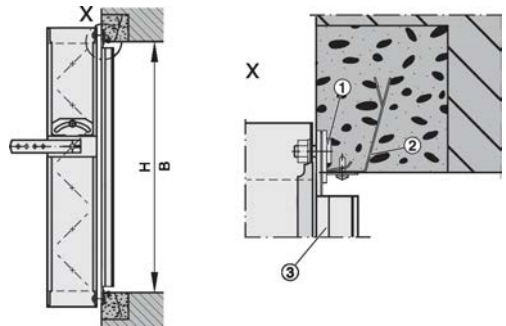


Fig. 6: Wall installation with installation subframe (aluminium construction)

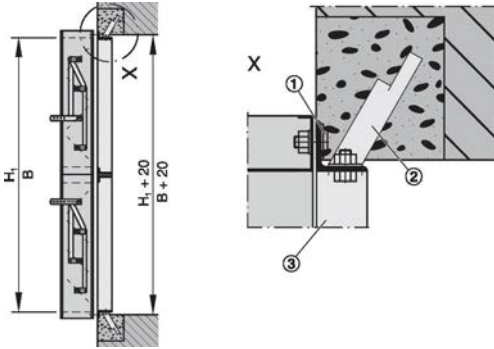


Fig. 7: Wall installation with installation subframe (steel/stainless steel construction), height subdivided

H₁ See ↗ 'Dimensions of JZ-*' on page 12

Assembling the installation subframe and damper

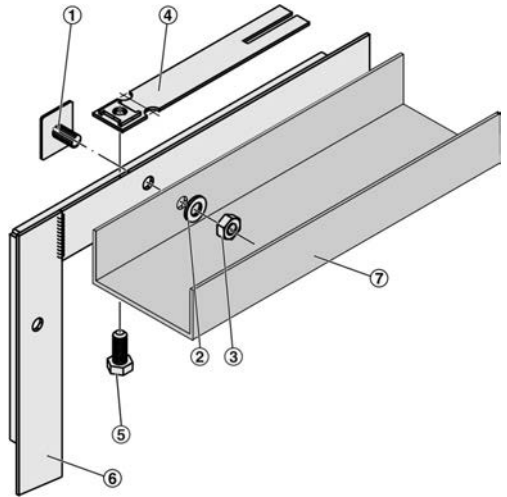


Fig. 9: Installation subframe and damper assembly

- ① Threaded stud
- ② Washer
- ③ Hexagonal nut
- ④ Fixing tab
- ⑤ Hexagon head screw
- ⑥ Installation subframe
- ⑦ Casing of the multileaf damper

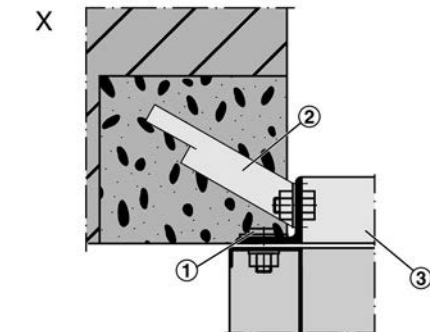
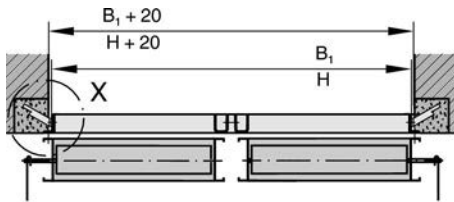


Fig. 8: Wall installation with installation subframe (steel/stainless steel construction), width subdivided

B₁ See ↗ 'Dimensions of JZ-*' on page 12

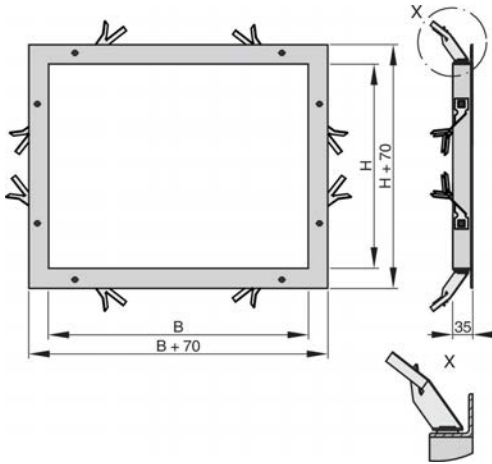


Fig. 10: Bend and spread the fixing tabs before installation

Connecting the duct

Use screws to attach the damper to the ducting. The damper casing has flange holes for duct connection.

Seal the joint between the casing flange and the duct in order to avoid pressure loss. Use sealing tape, for example, and clamps or additional screws, if necessary.



The movement of the damper blades must not be obstructed by any attachment.



CAUTION!

Danger of injury when reaching into the multi-leaf damper.

If only one end is to be ducted on site, the other end must have a cover grille (galvanised steel, mesh aperture ≤ 20 mm) or an external weather louvre.

Electrical/pneumatic connection

Actuators provided by others

Multileaf dampers for use in areas with potentially explosive atmospheres must not be fitted or retro-fitted with actuators provided by others.

Installation according to ATEX

The cables to be used must comply with ATEX. The type of protection of the unit must not be compromised by the connection of pipes, cables etc. Irrespective of the type of protection, all cables to be used must have been tested and approved according to the code of good practice.

The connections are made in an explosion-proof terminal box that has been certified for the relevant zones.

No loose terminals must be used in the terminal box. Once you have connected the cables, tighten the cable glands firmly in order to ensure IP protection (IP 66).

In areas with potentially explosive atmospheres unused openings for cable penetration must be sealed with certified dummy plugs.

Equipotential bonding

The multileaf damper must be connected to the earth bar by a qualified electrician. Equipotential bonding prevents electrostatic ignition hazards.

Connecting the electric actuator

Personnel:

- Skilled qualified electrician

Use only cables that are designed for the supply voltage for which they will be used. The power rating is given on the actuator rating plate. The length and cross section as well as any contact resistance may increase voltage losses.

A skilled qualified electrician has to select the correct cable types and sizes.



DANGER!

Danger of electric shock! Do not touch any live components! Electrical equipment carries a dangerous electrical voltage.

- Only skilled qualified electricians are allowed to work on the electrical system.
- Switch off the power supply before working on any electrical equipment.

- ▶ Connect the actuator to the explosion-proof terminal box as indicated on the actuator or in the manufacturer's product documentation.

Explosion-proof electric actuators

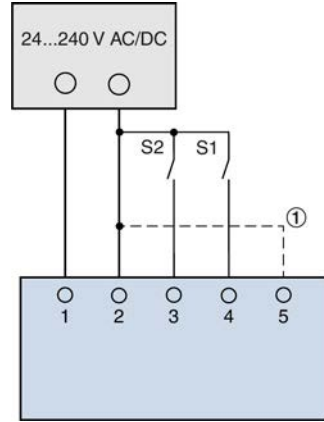


Fig. 11: 2-wire control

- ① Wire link between terminals 2 and 5: Spring return ~3s (only ExMax15-SF)
- S1 open and S2 open: Actuator has stopped (any position)
- S1 closed: Direction of rotation 1
- S1 open, S2 closed: Direction of rotation 2

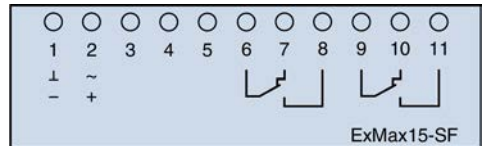


Fig. 12: Terminal connections in terminal box ExMax15-SF

- 1 - , -
- 2 ~ , +
- 3 Control voltage for direction of rotation 1
- 4 Control voltage for direction of rotation 2
- 5 Input for 2–5 wire link, spring return ~3s
- 6 Common contact
- 7 Mechanical stop 1 < 5°
- 8 Mechanical stop 1 > 5°
- 9 Common contact
- 10 Mechanical stop 2 < 85°
- 11 Mechanical stop 2 > 85°

If both auxiliary switches are used, then the switching voltages must be the same.

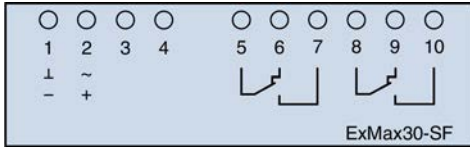


Fig. 13: Terminal connections in terminal box ExMax30-SF

- 1 ⊥, -
- 2 ~, +
- 3 Control voltage for direction of rotation 1
- 4 Control voltage for direction of rotation 2
- 5 Common contact
- 6 Mechanical stop 1 < 5°
- 7 Mechanical stop 1 > 5°
- 8 Common contact
- 9 Mechanical stop 2 < 85°
- 10 Mechanical stop 2 > 85°

If both auxiliary switches are used, then the switching voltages must be the same.

Explosion-proof pneumatic actuators

Personnel:

- Skilled qualified electrician

Required

- Control medium: dust, oil-free and dry air as well as inert gases
- Supply voltage, depending on the solenoid valve, see rating plate.
- Operating pressure, depending on the actuator, see rating plate.



DANGER!

Danger of electric shock! Do not touch any live components! Electrical equipment carries a dangerous electrical voltage.

- Only skilled qualified electricians are allowed to work on the electrical system.
- Switch off the power supply before working on any electrical equipment.

1. ▶ Connect the solenoid valve as indicated on the valve or the manufacturer's product documentation.
2. ▶ Connect the tubes according to the tubing diagram.

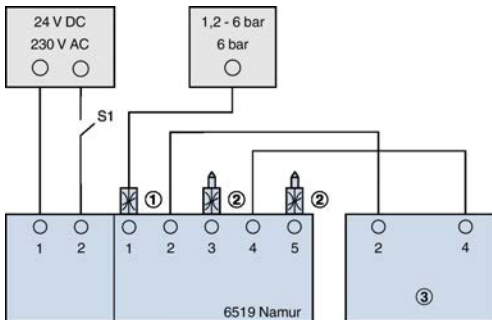


Fig. 14: Pneumatic actuator with solenoid valve

- ① Throttle valve
- ② Flow reducer (noise reduction)
- ③ Double acting or single acting actuator

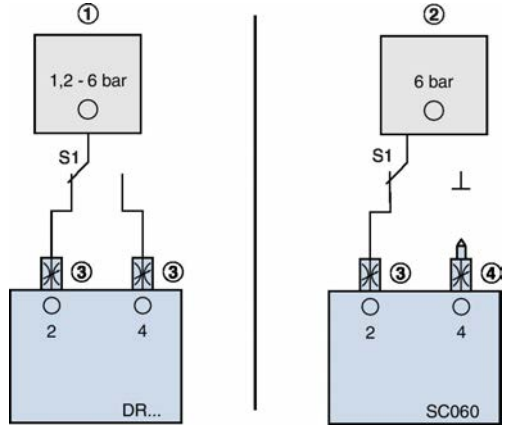


Fig. 15: Pneumatic actuator without solenoid valve

- ① Double acting pneumatic actuator
- ② Single acting pneumatic actuator
- ③ Throttle valve
- ④ Flow reducer (noise reduction)

Limit switch

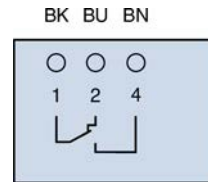


Fig. 16: Connecting cable core identification for limit switch

- 1 Common contact
- 2 NC contact
- 4 NO contact

Commissioning and maintenance

Commissioning

Personnel:

- HVAC technician

- ▶ As part of commissioning of the ventilation system, a functional test of the multileaf damper must be carried out, and it must be checked whether the requirements for use in potentially explosive atmospheres for the relevant zone are met.

Maintenance

The multileaf damper and the actuator are maintenance-free with regard to wear but multileaf dampers must still be included in the regular cleaning of the ventilation system.

Technical data

Multileaf dampers are manufactured according to the width (B) × height (H) ordered.

Multileaf dampers must be installed according to B × H; turning them is not usually possible, ↻ 'General installation information' on page 4.

Dimensions of JZ-*

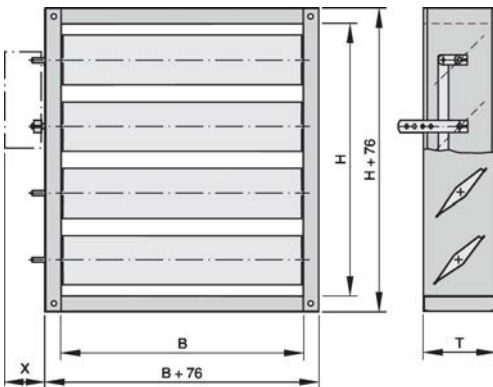


Fig. 17: JZ-*

T 180 mm for steel/stainless steel construction

Attachments	Dimension X [mm]
Z1EX, Z60EX - Z77EX	200
Z3EX	300

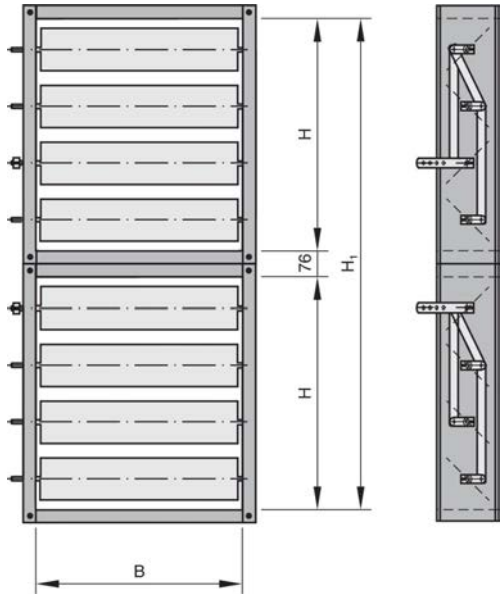


Fig. 18: JZ with height subdivided

$$H_1 = 2 H + 76 \text{ mm}$$

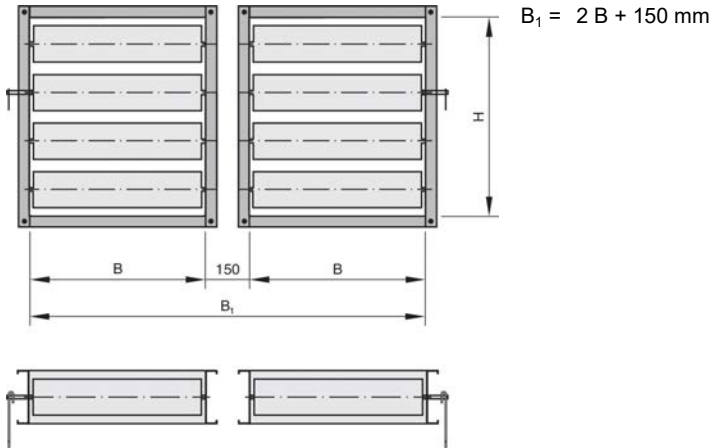


Fig. 19: JZ with width subdivided

	JZ-S	JZ-P	JZ-S-A2	JZ-P-A2	JZ-LL	JZ-HL	JZ-LL-A2
Steel, galv.	•	•			•	•	
Stainless steel			•	•			•
Aluminium							
Parallel		•		•			
Opposed	•		•		•	•	•
Closed blade air leakage to EN 1751 (class)					3 - 4	1 - 2	3 - 4
Casing air leakage to EN 1751 (class)	C						
Maximal airflow velocity in free cross-sectional area	8 m/s						
Temperature resistance (temperature of the medium)	-20...150 °C				0...100 °C		

For more technical data see the technical leaflet.

