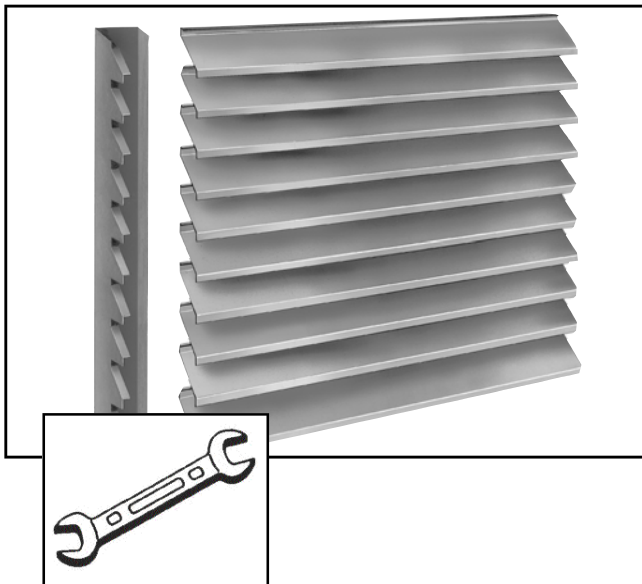


Gebrüder Trox GmbH

Heinrich-Trox-Platz
D-47504 Neukirchen-Vluyn
Telephone +49/28 45/2 02-0
Telefax +49/28 45/2 02-2 65
e-mail trox@trox.de
www.troxtechnik.com

Assembly Instructions for Weather-Resistant Louvres Type WG-F-...

M-3/2/EN/4



Assembly instructions

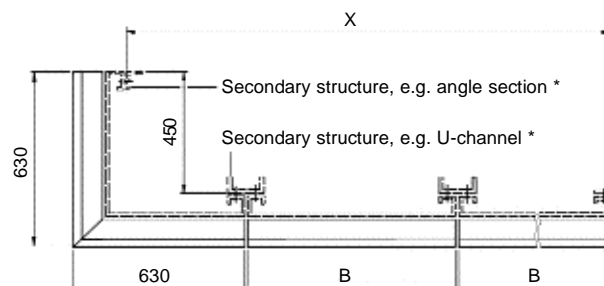
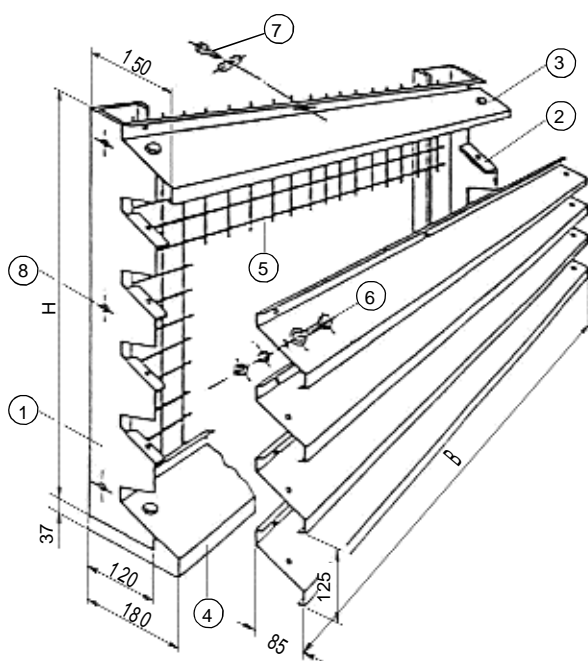
- Position top blade pos. ③ and bottom blade pos. ④ on the two support mullions pos. ① and ② and attach using the fixings pos. ⑥.
- Vertically align the support mullions pos. ① and ② with the two blades on the selected secondary structure and attach (fixings not included).
- Attach all other blades pos. ③ to the support mullions pos. ① and ② using the fixings pos. ⑥.
- Assemble each of the remaining central blades as described above. Connect the support mullions pos. ① and ② to each other using the fixings pos. ⑧.
- Attach wire mesh pos. ⑤ to the back side of the blades using the fixings pos. ⑦. Distribute the fasteners evenly across the surface.

Attention!

- Work should be performed only by qualified technicians.
- Follow general health and safety guidelines.
- Careless handling can result in injury.

Delivery contents

- ① Left support mullion
- ② Right support mullion
- ③ Other blades
- ④ Bottom blade
- ⑤ Wire mesh
- ⑥ Fixings for blade attachment
- ⑥.1 Hex screw M8 x 20, DIN EN ISO 4017
- ⑥.2 Washer 8.4, DIN 125
- ⑥.3 Lock washer 8, DIN 128
- ⑥.4 Hex nut M8, DIN EN ISO 4032
- ⑦ Fixings for wire mesh attachment
- ⑦.1 Joint 2 x 50 x 14
- ⑦.2 Circular head sheet metal screw 4.2 x 13, DIN ISO 1481
- ⑧ Fixings for joining together support mullions (when width > 2000 mm)
- ⑧.1 Hex screw M10 x 25, DIN EN ISO 4017
- ⑧.2 Hex nut M10, DIN EN ISO 4032
- ⑧.3 Lock washer 10, DIN 128



$$X = (n \times B) + 450$$

* attached on the sides or at the top and bottom