

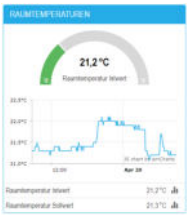
X-TAIRMINAL Bediengerät



Connections of a Panel PC variant



Data display in the trend view



Data display in the individual room control



Control unit with X-TAIRMINAL software for control, monitoring and regulation of TROX control systems

- 16:9 touch display (full HD widescreen)
- Screen diagonal 15,6" or 21,5"
- Pre-installed browser-based X-TAIRMINAL software
- Quickly adjust the components
- Project-specific presentation of TROX ventilation and fire protection solutions
- Central display of current operating values, alarms and trends

Optional equipment and accessories

- Surface-mounted casing with cable entry plate

General information	2	Dimensions and weight	6
Function	3	Installation details	7
Technical data	4	Accessories	8
Specification text	5		

General information

Application

- Operating device based on Windows 10 Enterprise LTSC 64-bit edition
 - 16:9 touch display with PCAP multi-finger touch sensor
 - Display of operating values and trends of TROX control systems
 - Changes to operating modes and influencing variables independent of building management system (BMS)
- Monitoring, control and regulation of TROX subsystems:
- X-CUBE (control of air handling units)
 - X-AIRCONTROL (demand-based room control)
 - TROXNETCOM (control of fire and smoke protection systems in air conditioning and ventilation systems)
 - FSL/SCHOOLAIR (decentralised ventilation solutions)
 - EASYLAB (system for laboratory air management)

Construction

- Screen diagonal 15,6"
- Screen diagonal 21,5"

Parts and characteristics

- 16:9 touch display (full HD widescreen) with glass front in various display sizes
- Panel PC with 128 GB memory (M.2 3D-TLC SATA)
- Metal casing with seal and fixing brackets

Commissioning

Note during installation:

- Do not remove or damage the seal on the edge of the display (otherwise the IP65 protection class cannot be guaranteed)
- Tighten the threaded pin of the fixing brackets with a maximum of 0.4 NM

Useful additions

- Surface-mounted casing with cable entry plate (optional)

Function

The X-TAIRMINAL consists of a touch display and an integrated panel PC with supplied X-TAIRMINAL software. The unit provides an overview of various systems (X-CUBE, X-AIRCONTROL, TROXNETCOM, FSL/SCHOOLAIR, EASYLAB) with the most important operating values. Access to the proprietary web visualisations of the individual systems is possible via the user interface.

The display provides an overview page with the unit groups, and a navigation bar for navigating to the unit groups with indication of a fault in the unit group. The number of warnings (orange) and errors (red) in this system are also shown. Click on the picture or use the navigation to get to the details of a system. For each system participant, there is a box with more detailed information

than on the general overview page. Clicking on the photo will take you to the detail page of the specific unit. In addition, there is a status line with connection status between the web server and the communication service as well as between the individual systems. The tooltip indicates which system is involved. (Red: no connection, Green: connection OK, Yellow: simulation for test purposes only). A trend view lets the user select the time period and various data points (e.g. outdoor temperature). Trends can be displayed in chart form or downloaded as a CSV file according to preference. Under the trend configuration, the measuring interval of data point groups can be set and data recording can be started or stopped.



- 1 Touch display
- 2 System listing
- 3 Value display
- 4 Connection status

Technical data

Screen diagonal	15.6"	21.5"
Resolution	1366 × 768 pixels	1920 × 1080 pixels
Size (W × H)	401 × 256 mm	538 × 357 mm
Supply voltage	24 V DC	
Power consumption	approx. 30 W	approx. 48 W
Display format	16:9 (Widescreen)	
Touch display	PCAP multi-finger touch sensor behind anti-reflective tempered glass	
Casing	Metal	
Installation	Landscape format, with fixing brackets	
Protection level	IP65	
Panel PC	varying processor and RAM: at least 4 GB, memory: 128 GB	
Interfaces	2 × Gigabit Ethernet (GbE), USB 3.0	
Operating system/Software	Windows 10 Enterprise LTSC 64-bit edition/X-TAIRMINAL	

Specification text

This specification text describes the general properties of the product. Texts for variants can be generated with our Easy Product Finder design program.

Specification text

PCAP multi-touch glass front for user interface with advanced gesture control. Mounting is done with fixing brackets in the machine casing.

Systemanforderungen

- 16:9 touch display (full HD widescreen)
- Screen diagonal 15,6" or 21,5"
- Processor varies depending on Panel PC
- At least 4 GB RAM
- Memory 120 GB M.2 3D-TLC SerialATA (SATA)
- Power supply: 24 V DC
- Operating system: Windows 10 Enterprise LTSC 64-bit edition

Schnittstelleninformationen

- 2 × GbE Ethernet
- USB 3.0

Visualisierung der Systeme über X-TAIRMINAL

- Overview page with the system groups
- Navigation bar for selecting the systems:
 - X-AIRCONTROL

- X-CUBE/X-CUBE Compact Control
- FSL Control/SCHOOLAIR
- LABCONTROL
- TROXNETCOM
- Display of faults and warnings in the system overview
- Detailed view of a system possible
- Overview of the most important values in a system
- Further unit details via the illustration of the respective unit

Display status between web server and communication service

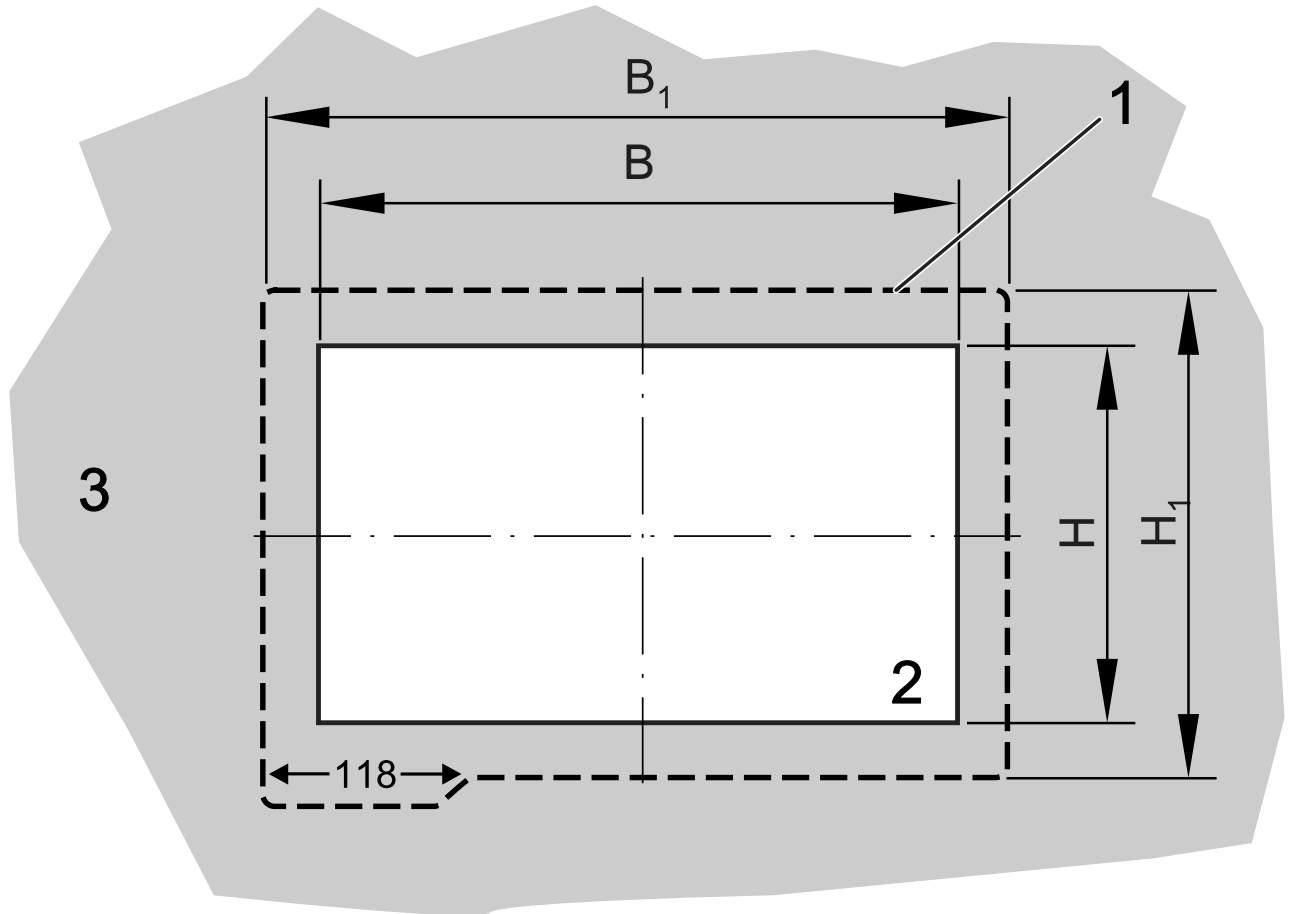
- Red: no connection
- Green: connection OK

Display of date, time and trend recording

- Access to the proprietary web visualisations of the systems:
 - Proprietary web visualisations can be added
 - Individual texts can be added - e.g. instructions
- Trend view
 - Set the data points
 - Selection and determination of time period
 - Selection of a preset time period (e.g. over the last 7 days)
 - Selected values in diagram form
 - Search for data points
 - Data export via *.csv file

Dimensions and weight

Dimensions control unit X-TAIRMINAL



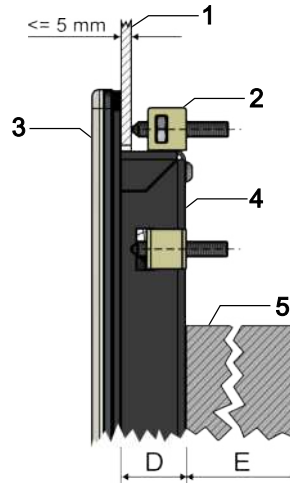
- 1 Front layer (glass)
- 2 Cut-out
- 3 Casing

Dimensions and weight

Display size ["]	Cut-out		Front layer (glass)			Weight [kg]
	W	H	W	H	W_1	
15.6	386	240	414	270	286	3.8
21.5	525	325	553	355	371	6

Note: Display depth see installation details

Installation details

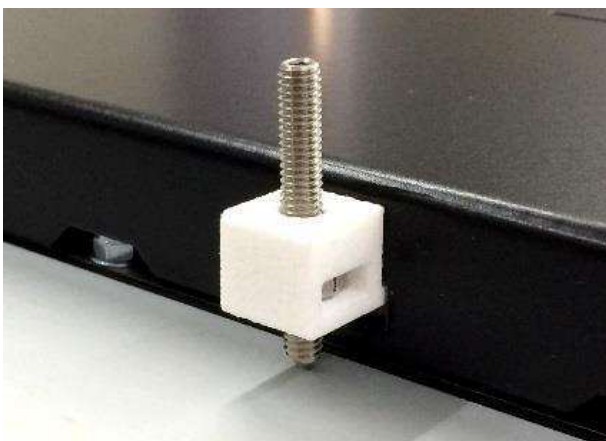


- 1 Casing wall
- 2 Fixing brackets
- 3 Front layer (glass)
- 4 Display unit casing
- 5 Panel PC

Depth dimensions [mm] for screen variants 7" - 21.5"

Display size ["]	D	E
15.6	~22	depending on panel PC, maximum 70 mm
21.5	~20	depending on panel PC, maximum 70 mm

Fixing brackets



Seal on the glass front

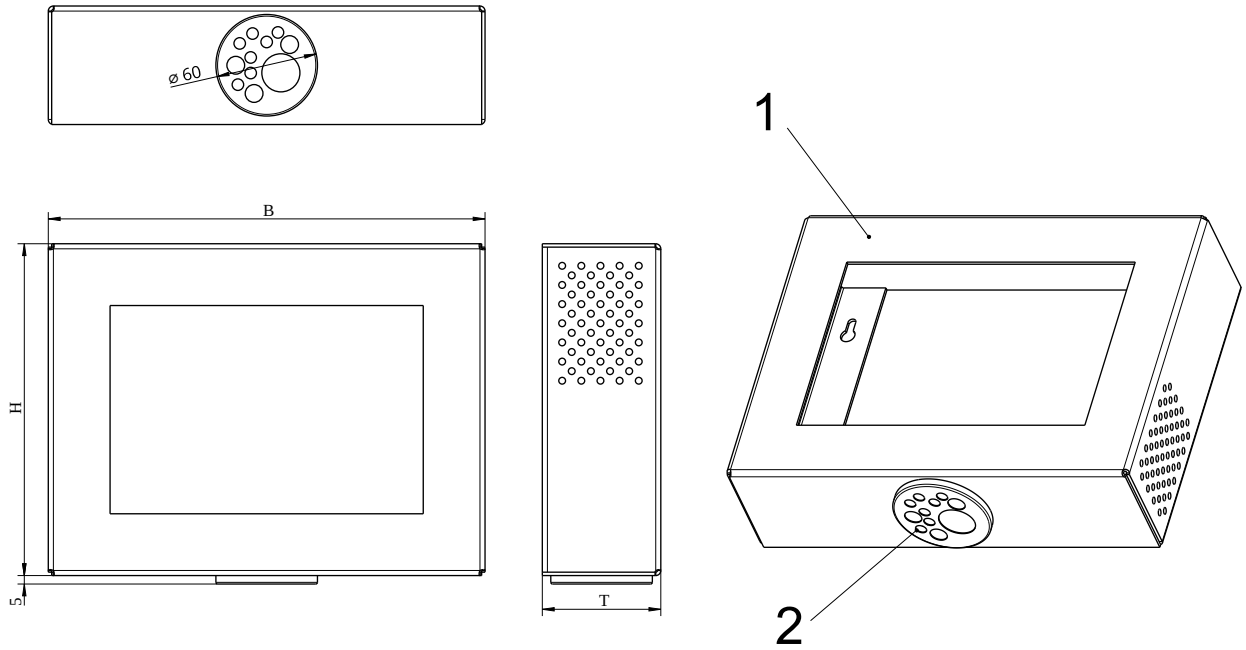


Installation and commissioning

- Mounting in the control cabinet door of a ventilation unit
- With surface-mounted casing: mounting in any position
- Mount the unit in the installation cut-out on the front side
- Do not remove or damage the seal on the edge of the display (otherwise the IP65 protection class cannot be guaranteed)
- Place the fixing brackets one after the other in the designated positions
- Tighten the threaded pin of the fixing brackets with a hexagon socket (2 mm) with a maximum of 0.4 NM

Accessories

Surface-mounted casing



1 Surface-mounted casing

2 Cable entry plate

Dimensions Surface-mounted casing

Display size ["]	Part number	W	H	D
15.6	A00000083827	459	329	100
21.5	A00000079941	598	414	100