



Enclosure
X-AIR-PCASE230V
(closed lid)



Enclosure
Factory settings



Enclosure
with extension provided by others
Zone module



Enclosure
with extension provided by others
Zone master



Enclosure
with extension provided by others
Zone module and splitter

Enclosure

Type X-AIR-PCASE230V



X-AIR-PCASE230V enclosure for max. one zone module or one zone master.

X-AIRCONTROL enclosure for mounting (to be performed by others) of a zone module or a zone master within a zone (room)

- Provision of the supply voltage 24 V AC for the zone module or zone master through an integrated transformer
- Feed of 230 V AC to 4-wire double terminals
- Additional mounting of an optional four-way splitter (X-SENS-SPLITTER) possible
- Pre-wired

Type		Page
X-AIR-PCASE230V	General information	PC – 2
	Function	PC – 3
	Technical data	PC – 4
	Specification text	PC – 5
	Order code	PC – 6
	Dimensions and weight	PC – 7
	Installation details	PC – 8

Application

Application

- Type X-AIR-PCASE230V enclosure for mounting a zone module or zone master
- Provision of supply voltage for a zone module or a zone master and the components connected to it, e.g. volume flow controllers, valve drives or sensors
- For mounting the four-way splitter X-SENS-SPLITTER
- Wall installation
- Ceiling installation (optional)

Special features

- Simple wall installation thanks to removable mounting bracket
- Simple installation of the zone module or zone master and the four-way splitter X-SENS-SPLITTER thanks to pre-installed DIN mounting rails
- 230 V/24 V AC transformer including micro fuse, installed and wired
- Connection and transmission of the supply voltage via 4-wire double terminals
- Enclosure is supplied without a zone module or zone master

Description

Parts and characteristics

- For supply voltage 230 V AC, 50 Hz
- 4-wire double terminals for feed and transmission (L1/N/PE)
- Transformer with micro fuse 230 V AC to 24 V AC
- Pre-assembled mounting rail
- 2-pole connection plug for supply voltage of zone module or a zone master
- Wire clamping bracket integrated into the casing
- Bracket for wall assembly

Useful additions

- Zone modules X-AIR-ZMO-MP, X-AIR-ZMO-MOD or X-AIR-ZMO-ANA
- Zone master X-AIR-ZMAS
- Four-way splitter X-SENS-SPLITTER
- X-AIR-PCASE-C optional mounting bracket for ceiling mounting for type X-AIR-PCASE230V

Materials and surfaces

- Casing in plastic (ABS), UL 94 V-0
- Basic colour grey, RAL 7037

Maintenance

- Maintenance-free as construction and materials are not subject to wear
- Inspection and cleaning; regular cleaning is recommended (removal of dust)

Supply voltage	230 V AC \pm 10 %, 50 Hz
Power consumption (transformer)	35 VA maximum
Micro fuse transformer	T250 mA (\varnothing 5 \times 20 mm, EN 60127-2/III)
Connection (spring-loaded terminals, 2.5 mm² max.)	4-wire double terminals
Temperature (operation)	-10 to 40 °C
Temperature (storage)	-20 to 50 °C
Protection level	IP 20 (EN 60529)
IEC protection class	I (protective earth)
Installation location	Wall or ceiling installation (optional)
Dimensions with wall bracket (W \times D \times H)	approx. 282 \times 267 \times 155 mm (lid closed), approx. 282 \times 300 \times 380 mm (lid open)
Dimensions with ceiling bracket (W \times D \times H)	approx. 282 \times 330 \times 150 mm (lid closed), approx. 282 \times 330 \times 380 mm (lid open)
Casing	Plastic (ABS), UL 94 V-0, basic colour grey, RAL 7037
Weight	Approx. 2700 g

This specification text describes the general properties of the product. Texts for variants can be generated with our Easy Product Finder design programme.

The X-AIR-PCASE230V enclosure is provided for mounting of a zone module or zone master. The enclosure is made of ABS plastic and can hold one zone master or one zone module. As standard, the X-AIR-PCASE230V comes with a mounting bracket for wall installation. The mounting bracket has 4 holes (Ø5 mm) so that it can be fixed to the wall. For optimum ceiling assembly, the X-AIR-PCASE-C mounting bracket is provided as an accessory. The X-AIR-PCASE230V is intended for use with a zone master or zone module and fitted with two mounting rails for installation. The X-AIR-PCASE230V is delivered without a zone module, zone master or splitter. These have to be installed on site, by others. 3 x 4-wire feed-through terminal blocks L1/N/PE are provided for the connection of the supply voltage. A 230 V/24 V AC transformer including micro fuse for the supply voltage to the components is installed and wired. Cables can be fed through the rubber membranes at the side. The lid of X-AIR-PCASE230V is fitted with a security device that prevents it from being opened by unauthorised persons. A Phillips screwdriver is required to open the security device.

Special features

- Simple wall installation thanks to removable mounting bracket
- Simple installation of the zone module or zone master and the four-way splitter X-SENS-SPLITTER thanks to pre-installed DIN mounting rails
- 230 V/24 V AC transformer including micro fuse, installed and wired
- Connection and transmission of the supply voltage via 4-wire double terminals
- Enclosure is supplied without a zone module or zone master

Materials and surfaces

- Casing in plastic (ABS), UL 94 V-0
- Basic colour grey, RAL 7037

Technical data

- Supply voltage 230 V AC $\pm 10\%$, 50 Hz
- Power consumption (transformer): 35 VA maximum
- Micro fuse transformer: T250 mA (Ø5 x 20 mm, EN 60127-2/III)
- Connection (spring-loaded terminals, max. 2.5mm²: 4-wire double terminals
- Temperature (operation): -10 to 40 °C
- Temperature (storage): -20 to 50 °C
- Degree of protection : IP20 (EN 60529)
- Protection class: I (protective conductor)
- Dimensions with wall mounting bracket (W x D x H): approx. 282 x 267 x 155 mm (lid closed), approx. 282 x 300 x 380 mm (lid open)
- Dimensions with ceiling bracket (W x D x H): approx. 282 x 330 x 150 mm (lid closed), approx. 282 x 330 x 380 mm (lid open)
- Casing: plastic (ABS), UL 94 V-0, basic colour grey, RAL 7037
- Weight: approx. 2700 g

X-AIR-PCASE230V



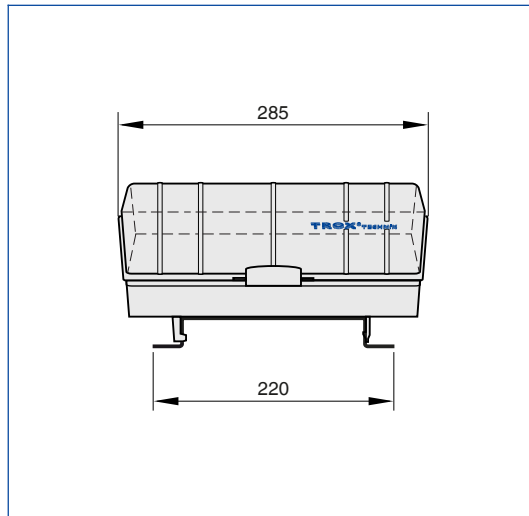
1 Type

X-AIR-PCASE230V

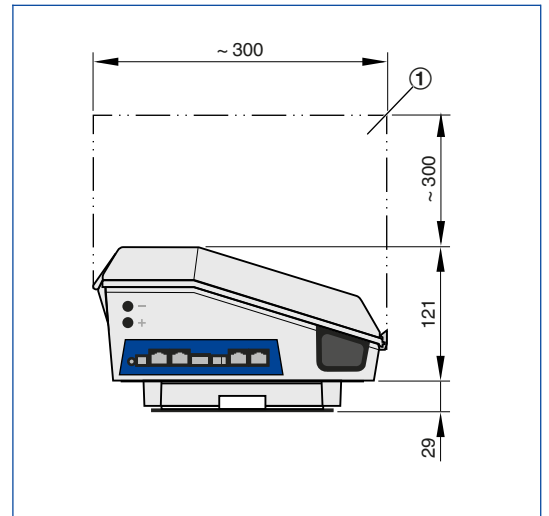
2 Useful additions

X-AIR-ZMO-MP	MP-Bus zone module
X-AIR-ZMO-MOD	Modbus RTU zone module
X-AIR-ZMO-ANA	Analogue zone module
X-SENS-SPLITTER	Four-way splitter
X-AIR-PCASE-C	Ceiling mounting bracket

X-AIR-PCASE230V with wall mounting bracket

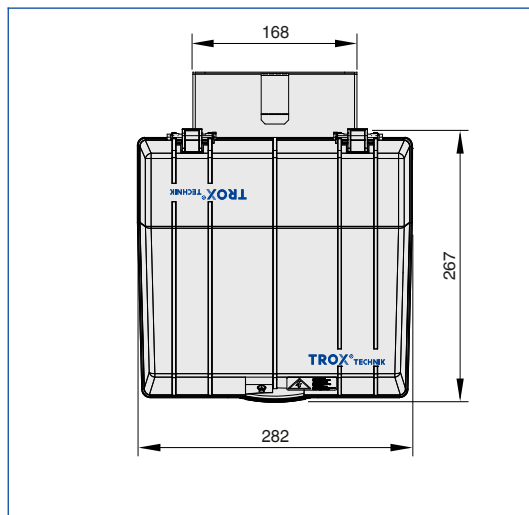


X-AIR-PCASE230V with wall mounting bracket

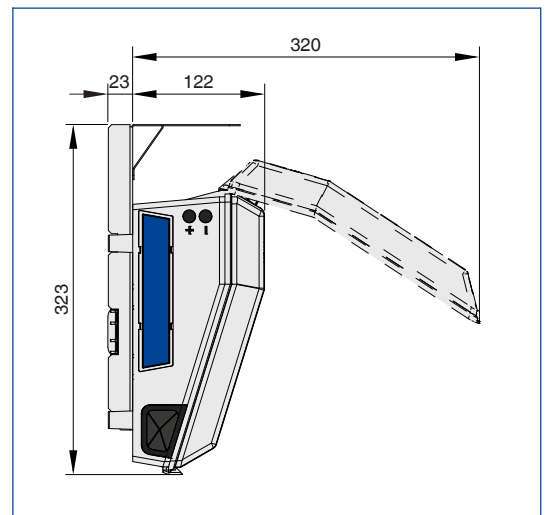


① Keep clear to provide access

X-AIR-PCASE230V with ceiling bracket



X-AIR-PCASE230V with ceiling bracket



Installation and commissioning

- Attach the wall/ceiling bracket and X-AIR-PCASE230V and lock it into place
- Mount the zone module or zone master on the mounting rail and if necessary attach the four-way splitter X-SENS-SPLITTER
- Perform the wiring for zone master/zone module and, if necessary, the four-way splitter
- Provide 24 V AC supply voltage for the zone module/zone master with the aid of 2-pole plug connectors (pay attention to the plug position for the zone modules)
- Lay the wiring for the 230 V AC supply voltage
- Close the lid with the security latch
- Check the functioning of all the connected components