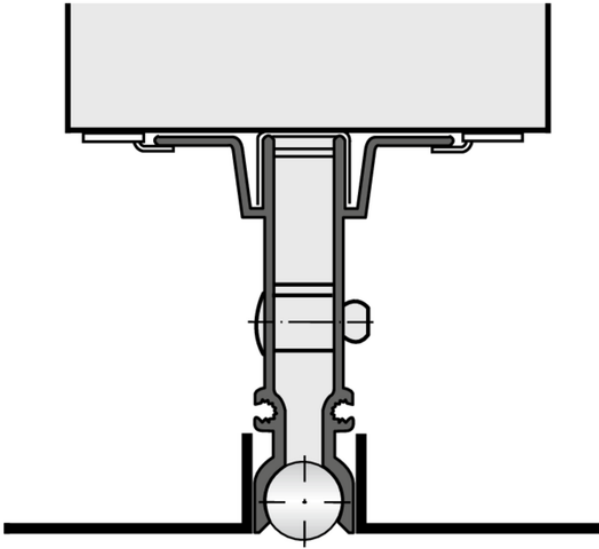




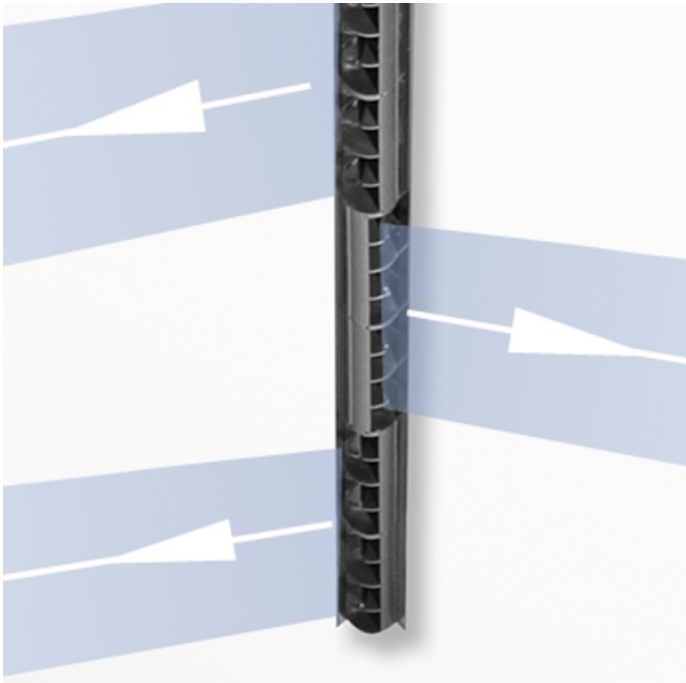
VSD15-A



INSTALLATION IN CONTINUOUS CEILINGS



INSTALLATION IN PANELLED CEILINGS



ALTERNATING HORIZONTAL AIR

DISCHARGE



TYPE VSD1 [Configure now](#)

WITH SLIM DIFFUSER FACE

Slot diffusers with 15 mm diffuser face (nominal width) and adjustable air control elements

- Nominal lengths from 600 to 1500 mm, 1 slot
- Volume flow rate range from 7 to 30 (l/s)/m or 25 to 108 (m³/h)/m
- Diffuser face made of extruded aluminium sections
- For variable and constant volume flows
- Suitable for continuous linear arrangement
- High induction results in a rapid reduction of the temperature difference and airflow velocity
- Individually adjustable air control elements to meet individual local requirements

Optional equipment and accessories

- Exposed diffuser face available in RAL CLASSIC colours
- Diffuser face with extended border
- Damper blade for volume flow rate balancing, can be

- adjusted through the diffuser face
- Plenum box with lining
 - End angle, end seal
 - White air control elements

Application ^

Description v

TECHNICAL INFORMATION

Function, Technical data, Quick sizing, Specification text, Order code ^

Variants, Attachments, Dimensions and weight, Product details v

Installation examples, Installation details, Commissioning, Basic information and nomenclature v

TROX GmbH



Heinrich-Trox-Platz
D-47504 Neukirchen-Vluyn
Tel.: +49 (0)2845 202-0
Fax: +49 (0)2845 202-265

myTROX Services

- › Order-Status

- › TROX Academy

- › Catalogue Download

- › Your contact partner

- › Online fault report

- › BIM

Service-Hotlines

Sales Germany
and technical consulting
+49 (0)2845 202-0
[Contact](#)

Technical service
+49 (0)2845 202-400
[Contact](#)

TROX IN SOCIAL WEB
