



ACTUATOR LM24A-SR

TYPE MODULATING ACTUATORS

FOR MOVING THE DAMPER BLADES OF SHUT-OFF DAMPERS TO ANY POSITION

Modulating actuators for Type AK or AKK shut-off dampers

- Various damper blade positions
- Supply voltage 24 V AC/DC
- Control input signal: Voltage signal 2 – 10 V
- Mechanical stops
- Retrofit possible

Application ^

Application

- Actuators for variable adjustment
- For moving the damper blades of Type AK and AKK shut-off dampers to any position

Description v

Parts and characteristics

- Mechanical stops for limiting the damper blade positions
- Supply voltage 24 V AC/DC
- Overload protection
- Setpoint value signal 2 – 10 V DC
- Release button to allow for manual operation

TECHNICAL INFORMATION

Function, TECHNICAL DATA, Produktbeziehungen ^

Functional description

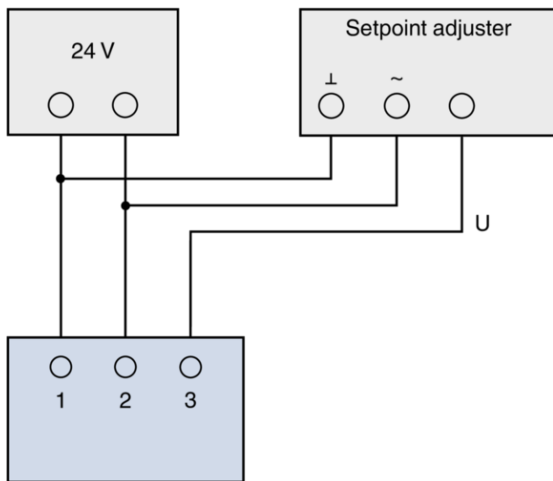
The actuator moves the blade of a shut-off damper to any position between the OPEN and CLOSED positions.

The control input signal is a voltage signal.

Control options and effect of actuator action in case of factory setting

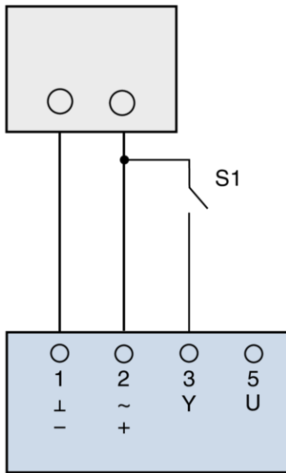
| Order code detail | Function | Control | Direction of rotation | |
|-------------------|------------|--------------------------------|-----------------------|--------|
| | | | 1 | 2 |
| B20 | Variable | Variable control | | |
| | Open/close | 1-wire control, 2-wire control | OPEN | CLOSED |

Variable control initiated by a voltage signal



U Voltage signal 0 – 10 V DC or 2 – 10 V DC

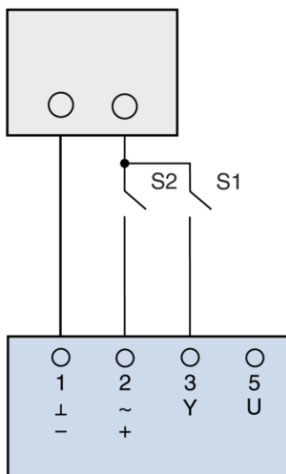
1-wire control for modulating actuators



Switch functions

- S1 open: Direction of rotation 1
- S1 closed: Direction of rotation 2

2-wire control (3-point) for modulating actuators



Switch functions

- S1 open
- S2 open: Actuator has stopped (any position)
- S2 closed: Direction of rotation 1

S1 closed

- S2 open: Actuator has stopped (any position)
- S2 closed: Direction of rotation 2

Actuators LM24A-SR and LM24A-SR-F

| | |
|--------------------------|------------------------------------------|
| Supply voltage (AC) | 24 V AC \pm 20 %, 50/60 Hz |
| Supply voltage (DC) | 24 V DC \pm 20 % |
| Power consumption – load | 1 W |
| Power consumption – idle | 0.4 W |
| Power rating | 2 VA |
| Torque | 5 Nm |
| Running time for 90° | 150 s |
| Position feedback | 2 – 10 V DC, 1 mA |
| Control signal | 2 – 10 V DC, $R_a > 100 \text{ k}\Omega$ |
| Connecting cable | 4 x 0.75 mm ² , 1 m long |
| IEC protection class | III (protective extra-low voltage) |
| Protection level | IP 54 |
| EC conformity | EMC to 2014/30/EU, RoHS to 2011/65/EU |
| Operating temperature | -30 to 50 °C |
| Weight | 0.5 kg |

Variants



Any attachments are to be defined with the order code of the shut-off damper.

B20

Application

- Actuator LM24A-SR
- Stepless adjustment as well as opening and closing of shut-off dampers

Parts and characteristics

- Supply voltage 24 V AC/DC
- Control input signal: Setpoint value signal 2 – 10 V DC, corresponds to the total rotation range (90°), working range is limited by mechanical stops
- Output: Position feedback 2 – 10 V
- Mechanical stops
- Direction of action can be reversed
- Release button to allow for manual operation

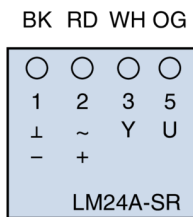
Actuators for the variable adjustment of shut-off dampers

| Order code detail | Actuator | | Supply voltage |
|-------------------|----------------------|----------|----------------|
| | Part number | Type | Supply voltage |
| B20 | M466DT6 with M536AJ4 | LM24A-SR | 24 V |

Actuator LM24A-SR



LM24A-SR, connecting cable core identification



- 1 ⊥, -: Ground, neutral
- 2 ~, +: Supply voltage
- 3 Y: Setpoint value signal
- 5 U: Position feedback

LM24A-SR and LM24A-SR-F

TROX GmbH



Heinrich-Trox-Platz
D-47504 Neukirchen-Vluyn
Tel.: +49 (0)2845 202-0
Fax: +49 (0)2845 202-265

myTROX Services

- > Order-Status

- > TROX Academy

- > Catalogue Download

- > Your contact partner

- > Online fault report

- > BIM

Service-Hotlines

Sales Germany
and technical consulting
+49 (0)2845 202-0
[Contact](#)

Technical service
+49 (0)2845 202-400
[Contact](#)

TROX IN SOCIAL WEB
