

TROXNETCOM Communication master

Communication master without screen TNC-HCM2-A



Communication master for up to 28 AS-i controllers TNC-A1412 via Profibus DP

- Without screen, external display via HTML5 (current browser)
- Separate controller interface: Profibus DP gateway for a maximum of 28 ASi controllers TNC-A1412 or TNC-A1305/06
- Factory installed TROXNETCOM Basic user software
- Interface for connection to a building management system (BMS) via Ethernet with the protocols Modbus/TCP (server/slave) and BACnet/IP
- For sending status messages of all dampers and smoke detectors to the building management system
- Certified BACnet implementation (BTL)
- BACnet configuration as EPICS and EDE files
- USB-A port for data backups and software updates
- 24 V DC supply, 1.25 A
- Remote diagnosis (TCP/IP) can be enabled
- For installation in control cabinet with fixing bracket



Product description	2	Specification text	4
Technical data	3	Dimensions	5

Product description

Application

- External display with browser (HTML5):
 - Visualisation and operation via web server
 - Communication master for up to 28 AS-i controllers TNC-A1412 in the controller network Profibus DP
- Modbus/TCP and BACnet/IP interface for connection to building management systems (BMS) without additional project planning effort
- With pre-installed TROXNETCOM Basic user software

Order code

TNC-HCM-A Communication master without screen; with separate Profibus DP gateway



Technical data

Diagonal size	7"
RAM	1 GB (4 GB max.) DDR3
Ethernet	2 × ETH, RJ45
Casing material	Metal
Connection	Push-in spring type terminal, 1.5 mm ² max.
Installation	Horizontal
IEC protection class	Front: IP 64 Back: IP 20
Certification	CE, RoHS
Power consumption	24 V DC, operation: ≤ 500 mA, power on: ≤ 1.25 A
Operating temperature range	0 °C – +50 °C
Communication interfaces	2 × Ethernet, RJ45, 2 × USB-A
Video interfaces	1 × micro HDMI
Switches and LEDs	5 × diagnosis LEDs

Specification text

This specification text describes the general properties of the product. Texts for variants can be generated with our Easy Product Finder design program.

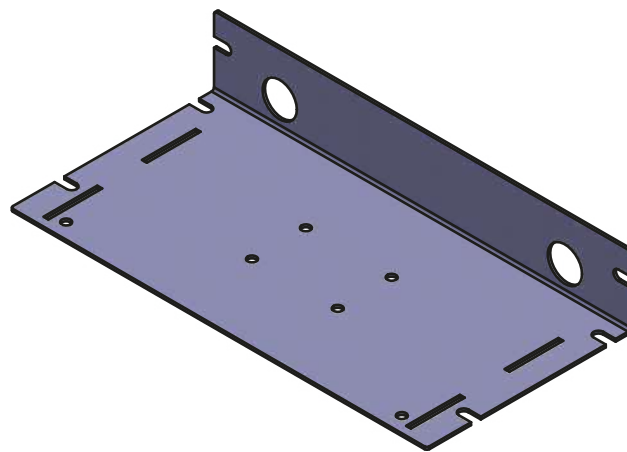
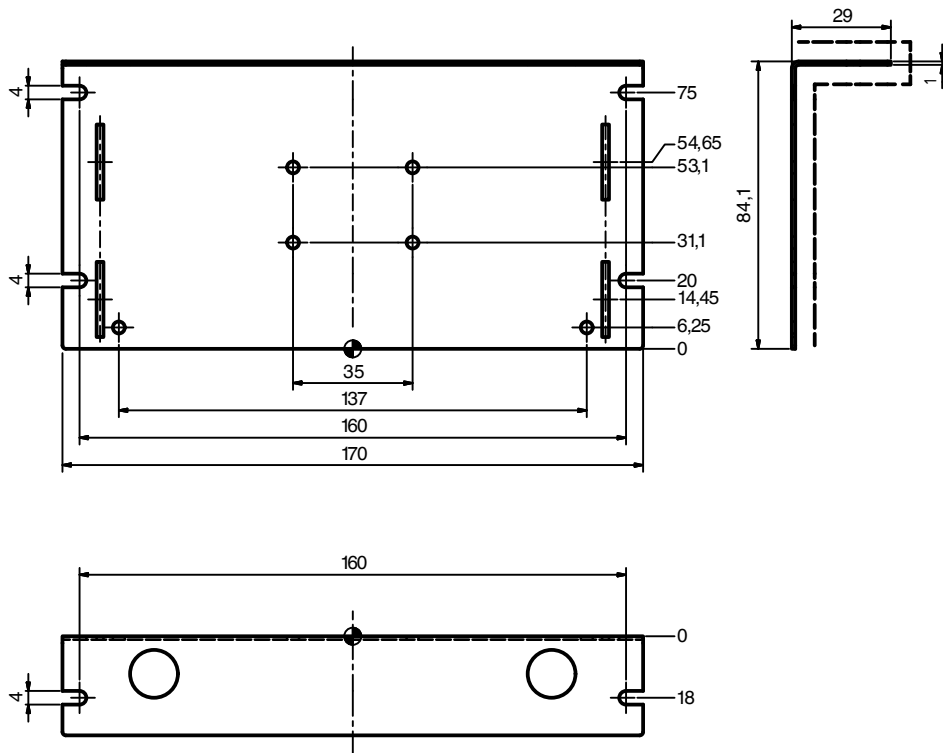
Specification text

Communication master for visualisation and operation via web server. Communication master for up to 28 AS-i controllers TNC-A1412 in the controller network Profibus DP.

- Without screen
- Communication master for controller network Profibus DP in connection with TNC-DP Master for up to 28 AS-i controllers TNC-A1412
- Interfaces: Modbus/TCP and BACnet/IP for connection to a building management system (BMS) without additional project planning effort
- With pre-installed TROXNETCOM Basic user software for control and display of the system statuses
- Automatic functional test, including documentation
- Real time clock
- Ethernet, USB
- Protection level: IP 20
- Supply voltage: 24 V DC
- Make: TROX GmbH or equivalent
- Type: TNC-HCM-A



Dimensions



Fixing bracket