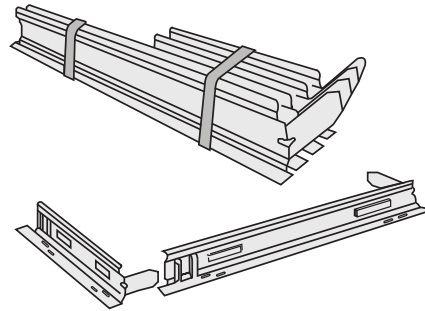


Accessories

Installation subframe for ventilation grilles



Installation subframes, made of galvanised sheet steel, for the fast and simple installation of ventilation grilles

Installation subframe for the simple and precise installation of ventilation grilles, can be mortared into the wall opening with fixing tabs

- Angle sections made of galvanised steel
- Preformed fixing tabs
- Individual frame sections with tongue joints

Type		Page
ER – Ventilation grille	General information	ER – 2
	Order code	ER – 3
	Variants	ER – 4
	Installation details	ER – 6

Application

Application

- For the installation of ventilation grilles in walls and sills
- The installation subframe allows for the fast, simple and precise installation of ventilation grilles
- Required for the installation of single grilles and

- horizontal run sections with concealed screw fixing or spring clip fixing
 - Installation subframes allow you to create an installation opening while the wall or ceiling is being created; you can then install the grille later and hence avoid it being damaged or contaminated during construction.
-

Description

Parts and characteristics

- Installation subframe consisting of angle sections

Materials and surfaces

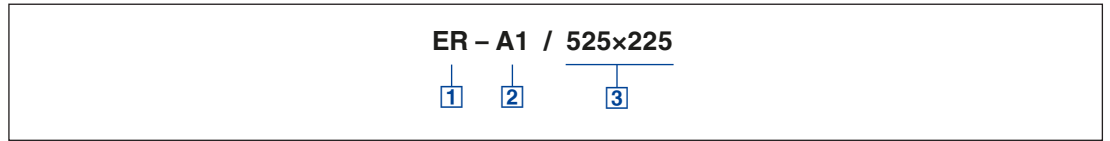
- Installation subframes, made of formed galvanised sheet steel, with fixing tabs

Maintenance

- Maintenance-free as construction and materials are not subject to wear
- Inspection and cleaning to VDI 6022

- Any accessories are defined with the order code of the ventilation grille.
- The subframe can be ordered separately.

ER – Ventilation grille



1 Type

ER Installation subframe for ventilation grilles

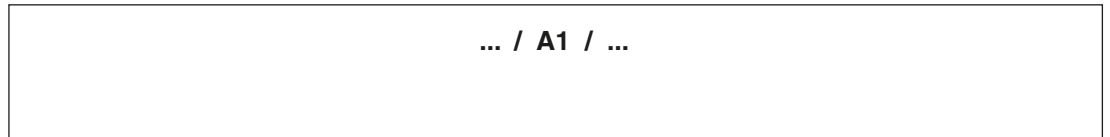
3 Nominal size [mm]

L x H

2 Variant

- A1** 12.5 mm wide front border, for ASL, AT, VAT, AH, AWT, TR, TRS, TRS-K, AGS
- B1** 5 mm wide front border, for X-GRILLE Cover, X-GRILLE Basic, AT, VAT, AH
- M1** 12.5 mm wide (longitudinal section) and 5 mm wide (transverse section) front border, for SL

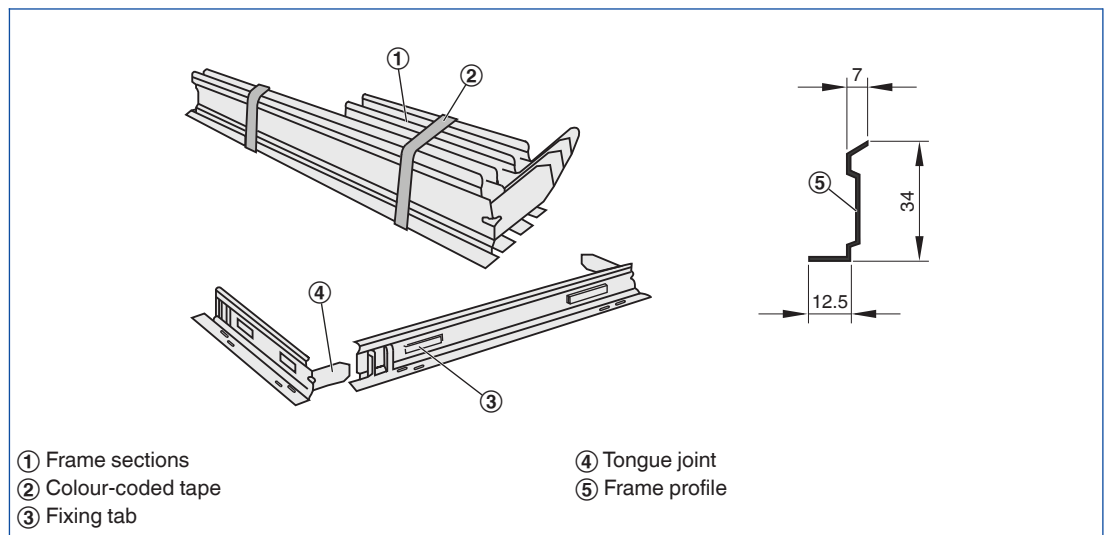
Order code detail – installation subframes ordered as accessories for ventilation grilles



Installation subframe for ventilation grilles

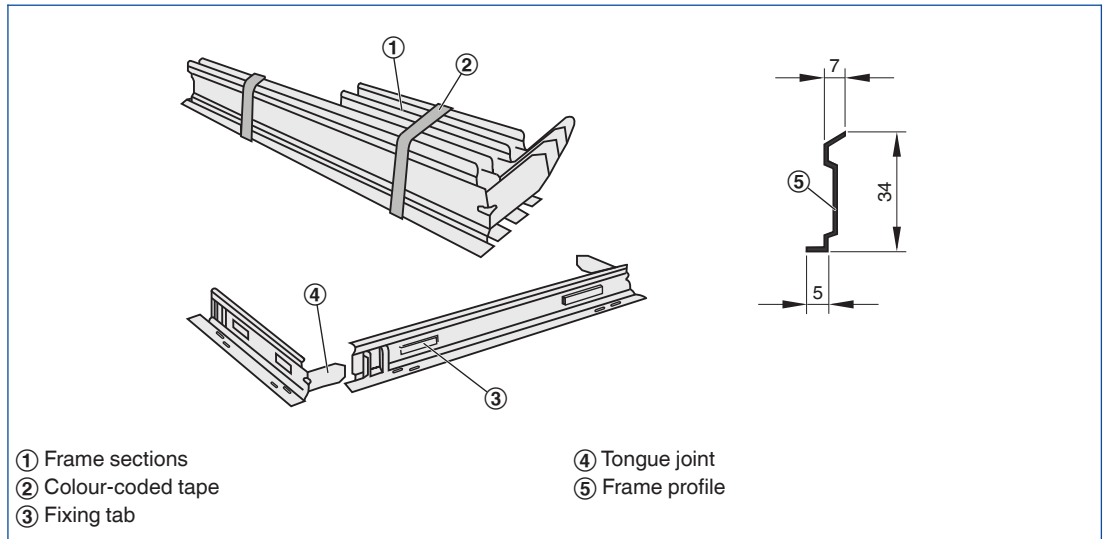
Type of ventilation grille	Colour-coded tape for installation subframes		
	ER 12.5	ER 5	ER 12.5/5
	Transparent	Brown	Red
Installation into walls, sills or rectangular ducts			
X-GRILLE Cover	–	B1	–
X-GRILLE Basic	–	B1	–
ASL	A1	–	–
AT	A1	B1	–
VAT	A1	B1	–
AH	A1	B1	–
AWT	A1	–	–
SL	–	–	M1
TR	A1	–	–
TRS	A1	–	–
TRSK	A1	–	–
Door installation			
AGS	A1	–	–

Installation subframe ER 12.5 for ventilation grilles and WGK external weather louvres



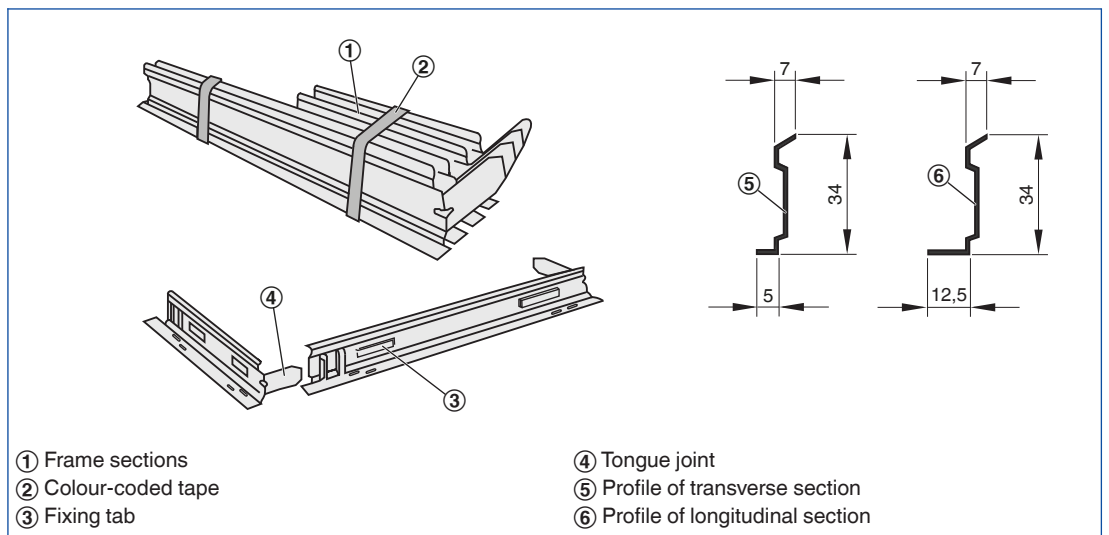
Note: transparent tape

Installation subframe ER 5 for ventilation grilles



Note: brown tape

Installation subframe ER 12.5/5 for ventilation grilles



Note: red tape

Installation and commissioning

Before mortaring in the installation subframe

- Bend the preformed fixing tabs

After mortaring in the installation subframe

- Position the ventilation grille in the installation subframe and fasten it

Installation information

- Installation and making connections to be performed by others

Single grille

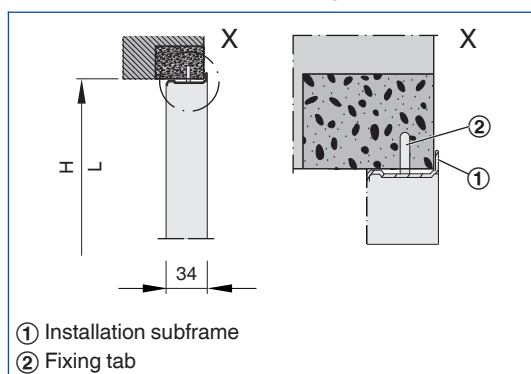
- The installation subframe consists of four sections
- Push the sections together
- For wall installation: Spread the fixing tabs, then mortar them in
- Fixing holes are provided for fixing the frame with screws and rivets to different structures

Horizontal run sections

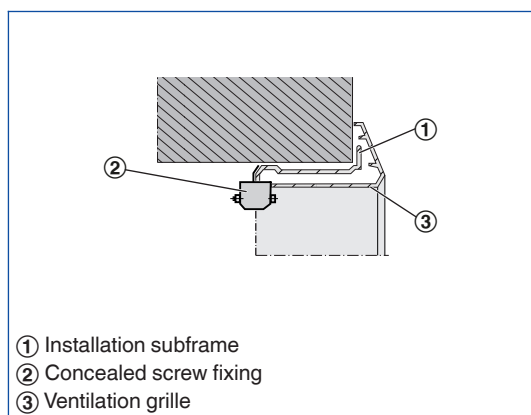
- Connect multi-section installation subframes
- Screw-fix the grille end sections and grille middle sections together for continuous horizontal runs

These are only schematic diagrams to illustrate installation details.

Installation dimensions of installation subframe ER for ventilation grilles



Ventilation grille with concealed screw fixing



Ventilation grille with spring clip fixing

