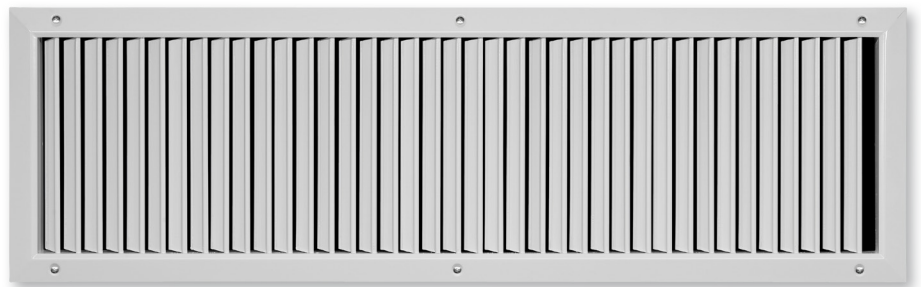


Ventilation grilles for installation into walls, sills or rectangular ducts

Type TRS



Ventilation grilles, made of sheet steel, with individually adjustable, vertical blades

Ventilation grille with droplet shaped blades

- Nominal sizes 225 × 75 to 1225 × 325 mm
- Volume flow rate range 11 – 1305 l/s or 40 – 4698 m³/h
- Grille face made of sheet steel, powder-coated
- Front border with countersunk holes, 27 mm wide

Optional equipment and accessories

- Grille face in RAL CLASSIC colours
- Grille face made of galvanised sheet steel, without powder coating
- Installation subframe
- Installation subframe for fitting filter media
- Attachments for volume flow rate balancing and air direction control
- Concealed screw fixing

Type		Page
TRS	General information	TRS – 2
	Function	TRS – 3
	Technical data	TRS – 6
	Quick sizing	TRS – 7
	Specification text	TRS – 8
	Order code	TRS – 9
	Dimensions and weight	TRS – 11
	Product details	TRS – 12
	Installation examples	TRS – 13
	Installation details	TRS – 14
	Commissioning	TRS – 15
	Basic information and nomenclature	TRS – 16

Application

Application

- Ventilation grille of Type TRS as supply air or extract air variant for comfort zones and industrial zones
- Directed supply air discharge for mixed flow ventilation
- Blades are adjustable to meet different local requirements
- For variable and constant volume flows
- For supply air to room air temperature differences from –12 to +4 K
- For installation in walls, sills and rectangular ducts

Special characteristics

- Individually adjustable blades
- Countersunk holes or concealed screw fixing
- Optional installation subframe and casing for the fitting of filter media

Nominal sizes

- Nominal length: 225, 325, 425, 525, 625, 825, 1025, 1225 mm
- Nominal height: 75, 125, 225, 325 mm

Other dimensions upon request

Description

Variants

- Fixing
- Countersunk holes
 - C11: Concealed screw fixing

Parts and characteristics

- Sloped border with chamfered inside edge
- Individually adjustable, vertical blades
- Factory fitted perimeter seal

Attachments

- AG, AS, D, DG: For volume flow rate balancing and for air direction control

Accessories

- Installation subframe: For the fast and simple installation of ventilation grilles
- Filter casing: Frame with filter element and spring clip fixing

Construction features

- Asymmetrically supported blades
- Border with countersunk holes or concealed

screw fixing

Materials and surfaces

- Border and blades made of galvanised sheet steel
- Border and blades powder-coated RAL 9010, pure white
- P1: Border and blades powder-coated, RAL CLASSIC colour
- S7: Border and blades made of galvanised sheet steel, not powder-coated

Standards and guidelines

- Sound power level of the air-regenerated noise measured according to EN ISO 5135

Maintenance

- Maintenance-free as construction and materials are not subject to wear
- Inspection and cleaning to VDI 6022

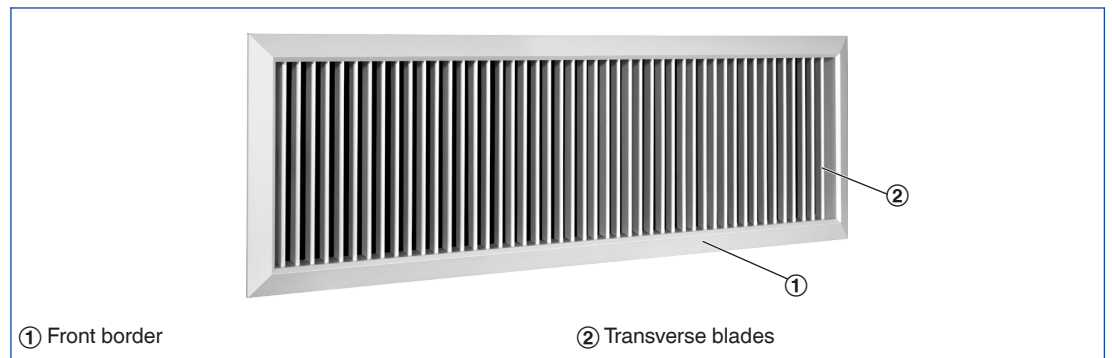
Functional description

Ventilation grilles are air terminal devices for the supply air and extract air of ventilation and air conditioning systems. They direct the supply air into the room. Ventilation grilles with adjustable blades allow for adapting the discharge direction to the local conditions. The result is a mixed flow ventilation in comfort zones and industrial zones, with good overall room ventilation. Induction slows the airflow down, i.e. the airflow velocity decreases as the distance from the grille increases. The distance at which the airflow velocity reaches a certain defined value, e.g. 0.2 m/s, is called throw distance. The supply air jet from wall grilles that are installed near the ceiling

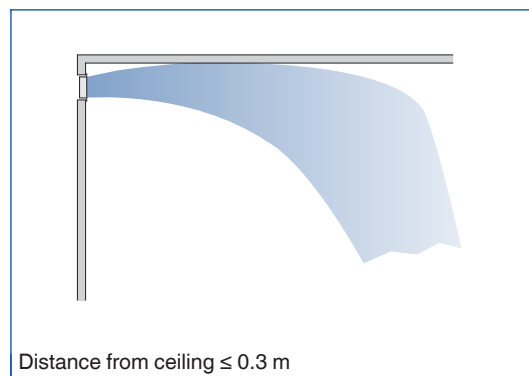
achieves a larger throw distance than a free jet (from a grille that is not installed near the ceiling). Single grilles, groups of grilles and continuous horizontal runs all achieve different throw distances.

In cooling mode it is necessary to take account of the jet deviation towards the occupied zone, which increases as the supply air to room air temperature difference increases and the discharge velocity decreases. In heating mode the supply air jet deviates towards the ceiling. This has no negative effect on the airflow velocity in the occupied zone, but it may affect the complete ventilation of the room.

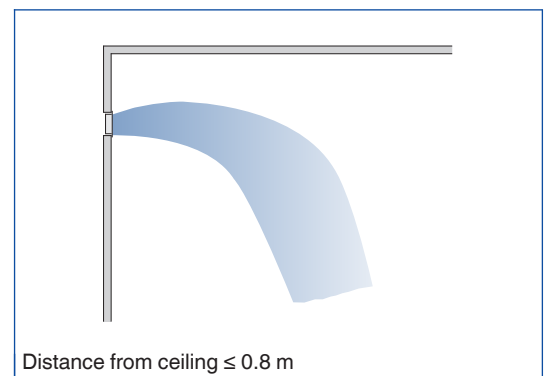
Schematic illustration of a ventilation grille with transverse blades



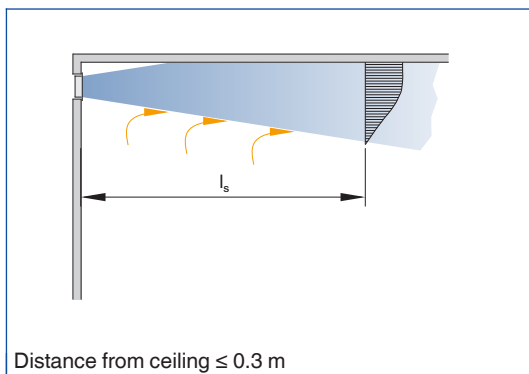
Air pattern in cooling mode, with ceiling effect, sectional view



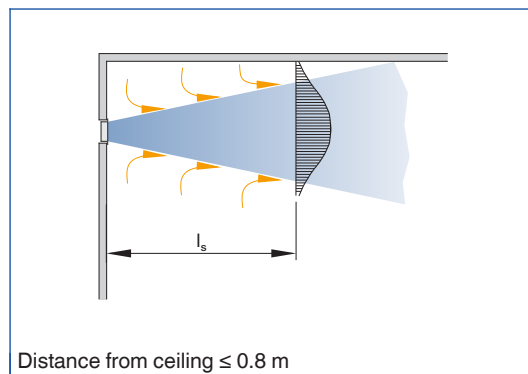
Air pattern in cooling mode, without ceiling effect, sectional view



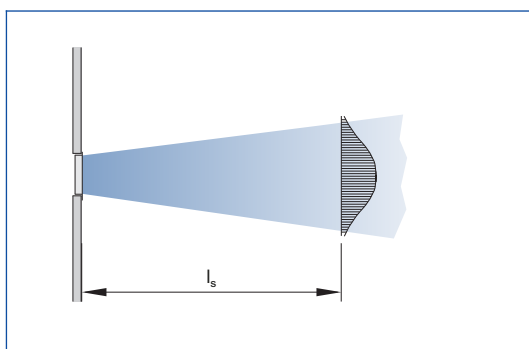
Air pattern with ceiling effect, sectional view



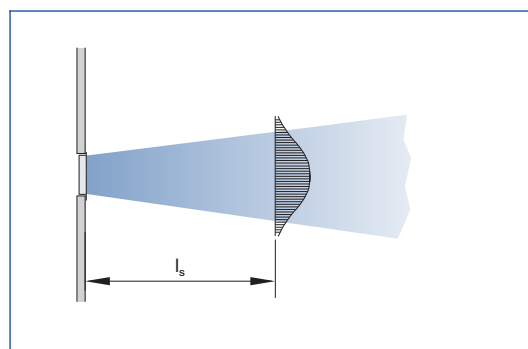
Air pattern without ceiling effect, sectional view



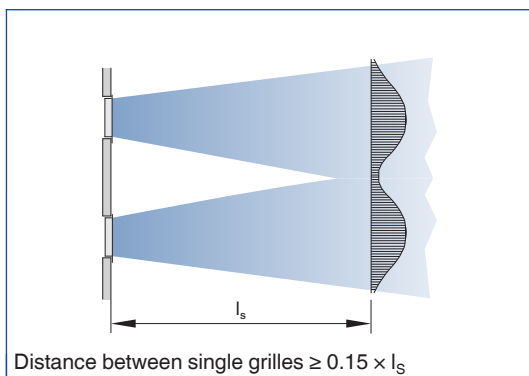
Air pattern with ceiling effect, top view



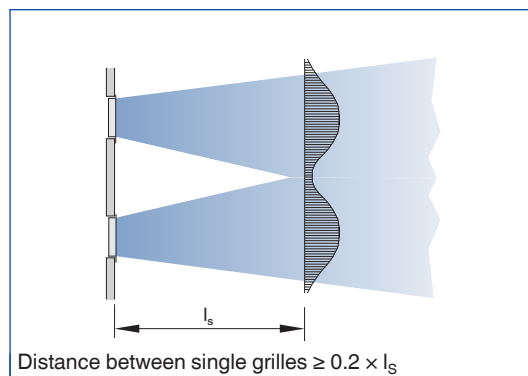
Air pattern without ceiling effect, top view



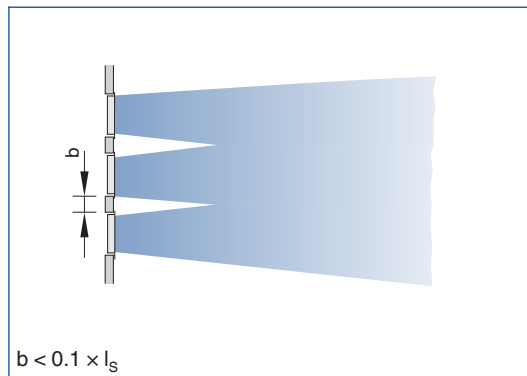
Air pattern with ceiling effect, group of grilles, top view



Air pattern without ceiling effect, group of grilles, top view



Air pattern, group of grilles, top view



Several single grilles arranged in a row and with not much distance between them have the same effect as a continuous horizontal run.

Nominal sizes	225 × 75 to 1225 × 325 mm
Minimum volume flow rate	11 – 410 l/s or 40 – 1476 m ³ /h
Maximum volume flow rate, with L _{WA} max. 40 dB(A) without attachments	62 – 1305 l/s or 223 – 4698 m ³ /h
Supply air to room air temperature difference	-12 to +4 K

Volume flow rates apply to supply air

Geometric free area

H	L [mm]							
	225	325	425	525	625	825	1025	1225
mm	A_{geo} m ²							
75	0.007	0.011	0.015	0.018	0.022	0.029	0.036	0.043
125	0.015	0.022	0.030	0.037	0.044	0.059	0.074	0.089
225	0.030	0.045	0.060	0.075	0.090	0.119	0.149	0.179
325		0.068	0.090	0.113	0.135	0.180	0.225	0.269

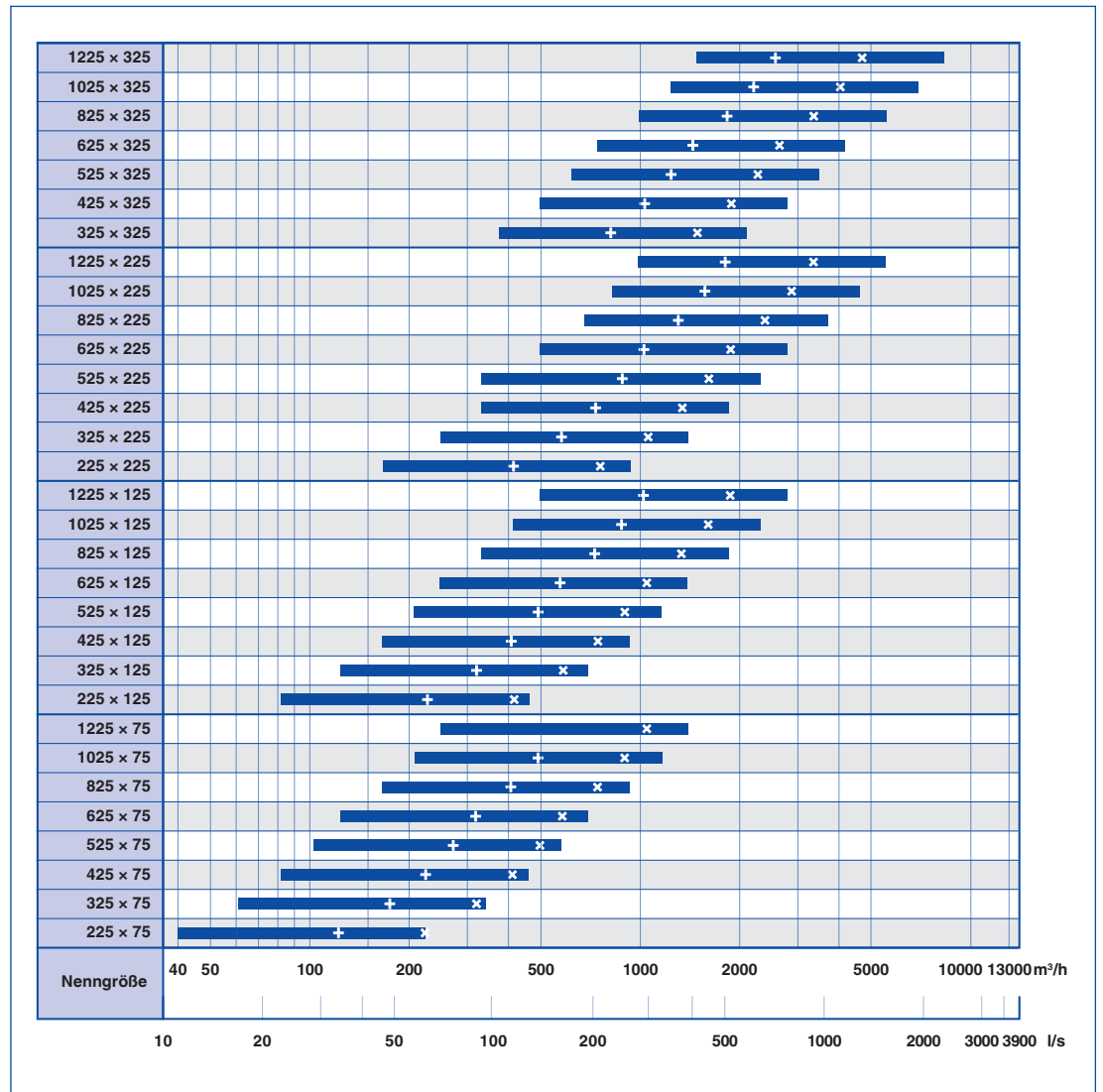
Effective air discharge area (supply air)

H	L [mm]							
	225	325	425	525	625	825	1025	1225
mm	A_{eff} m ²							
75	0.007	0.011	0.014	0.018	0.021	0.029	0.036	0.043
125	0.014	0.021	0.029	0.036	0.043	0.057	0.072	0.086
225	0.029	0.043	0.057	0.072	0.086	0.114	0.142	0.172
325		0.064	0.086	0.108	0.129	0.172	0.214	0.256

Effective area of extract air grille

H	L [mm]							
	225	325	425	525	625	825	1025	1225
mm	A_{eff} m ²							
75	0.006	0.009	0.011	0.014	0.016	0.022	0.028	0.033
125	0.011	0.016	0.022	0.028	0.033	0.044	0.055	0.066
225		0.033	0.044	0.055	0.066	0.090	0.110	0.134
325			0.066	0.083	0.100	0.134	0.170	0.200

TRS, volume flow rate ranges



× L_{WA} = 40 dB(A) with unrestricted airflow + L_{WA} = 40 dB(A) with airflow restricted by 50 %

This specification text describes the general properties of the product. Texts for variants can be generated with our Easy Product Finder design programme.

Ventilation grilles, rectangular, made of sheet steel, for supply and extract air. Aesthetic sloped border with chamfered inside edge. Preferably for wall and sill installation but also suitable for rectangular ducts.

Ready-to-install component which consists of a border and individually adjustable, vertical blades. Concealed screw fixing or countersunk holes, for installation into an installation subframe or fixing onto an installation surface.

Sound power level of the air-regenerated noise measured according to EN ISO 5135.

Special characteristics

- Individually adjustable blades
- Countersunk holes or concealed screw fixing
- Optional installation subframe and casing for the fitting of filter media

Materials and surfaces

- Border and blades made of galvanised sheet steel
- Border and blades powder-coated RAL 9010, pure white

- P1: Border and blades powder-coated, RAL CLASSIC colour
- S7: Border and blades made of galvanised sheet steel, not powder-coated

Technical data

- Nominal sizes: 225 × 75 to 1225 × 325 mm
- Minimum volume flow rate (supply air): 11 – 410 l/s or 40 – 1476 m³/h
- Maximum volume flow rate (supply air), at L_{WA} max. 40 dB(A) without attachments: 62 – 1305 l/s or 223 – 4698 m³/h
- Supply air to room air temperature difference: -12 to +4 K

Sizing data

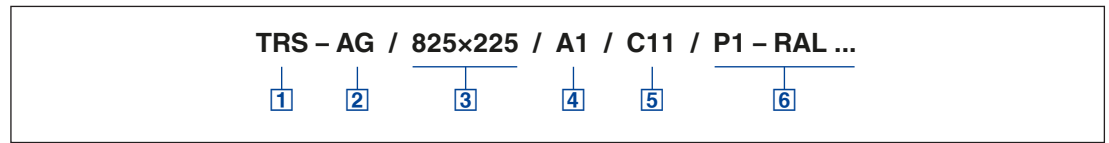
- \dot{V} _____
[m³/h]

- Δp_t _____
[Pa]

Air-regenerated noise

- L_{WA} _____
[dB(A)]

TRS



1 Type

TRS Single grille

2 Attachments

- A** Without (grille face only)
- AG** Damper unit, opposed action blades
- AS** Hit and miss damper
- D** Air direction control, blades installed at 90° to the front blades, independently adjustable
- DG** D combined with AG

3 Nominal size [mm]

L × H

4 Installation subframe

No entry: none

A1 With

Order example: TRS-DG/825×225/A1/C11

Attachments

5 Fixing

No entry: countersunk holes

C11 With concealed screw fixing

6 Exposed surface

No entry: powder-coated
RAL 9010, pure white

P1 Powder-coated, specify RAL CLASSIC colour

S7 Grille face made of galvanised sheet steel, without powder coating

Gloss level

RAL 9010 50 %

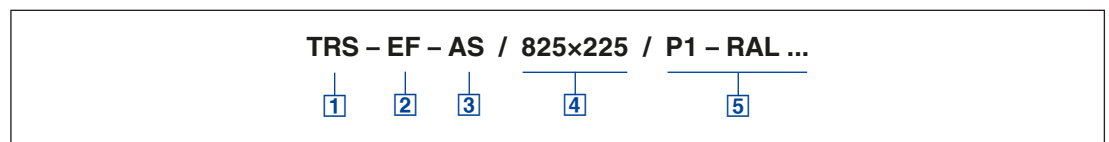
RAL 9006 30 %

All other RAL colours 70 %

Damper unit with opposed action blades and air direction control

Nominal size	825 × 225 mm
Installation subframe	With
Fixing	Concealed screw fixing
Exposed surface	Powder-coated RAL 9010, pure white

TRS-EF



1 Type

TRS Single grille

2 Construction

EF Installation subframe with filter element and spring clip fixing

3 Attachments

- A** Without
- AS** Hit and miss damper

4 Nominal size [mm]

L × H

Order example: TRS-EF/825×225

Attachments

None

Nominal size 825 × 225 mm

Exposed surface Powder-coated RAL 9010, pure white

5 Exposed surface

No entry: powder-coated
RAL 9010, pure white

P1 Powder-coated, specify RAL CLASSIC colour

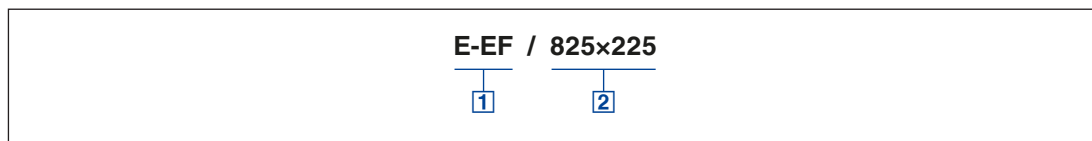
Gloss level

RAL 9010 50 %

RAL 9006 30 %

All other RAL colours 70 %

E-EF



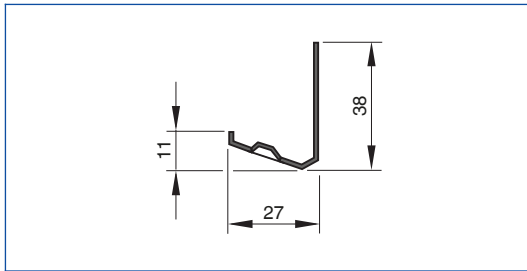
1 Type

E-EF Replacement filter medium

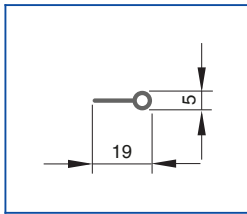
2 Nominal size [mm]

L x H

Front border, 27 mm



Blade



Wall installation

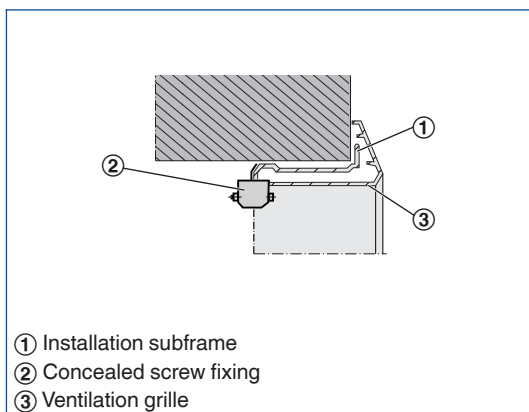


Installation and commissioning

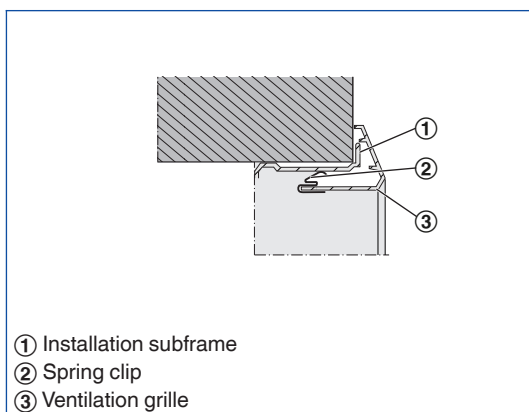
- Installation preferably in walls, sills and rectangular ducts
- Installation with installation subframe is recommended
- If no installation subframe is used, the border should be fixed with screws

These are only schematic diagrams to illustrate installation details.

Ventilation grille with concealed screw fixing



Ventilation grille with spring clip fixing



Volume flow rate balancing

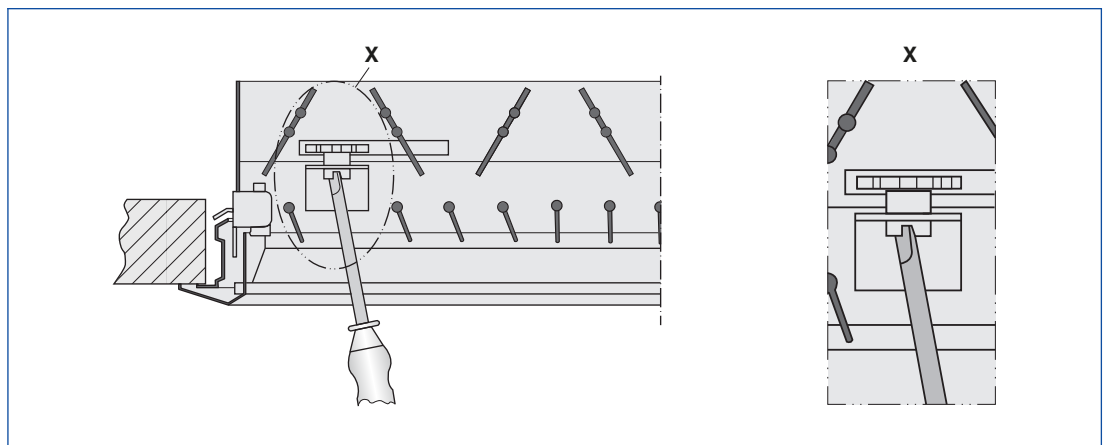
When several ventilation grilles are installed on the same duct, it may be necessary to balance the volume flow rates.

- AG: Damper unit with opposed action blades, adjustable, secured with a locking screw
- AS: Damper unit with hit and miss damper, adjustable, secured with a locking screw

Air pattern

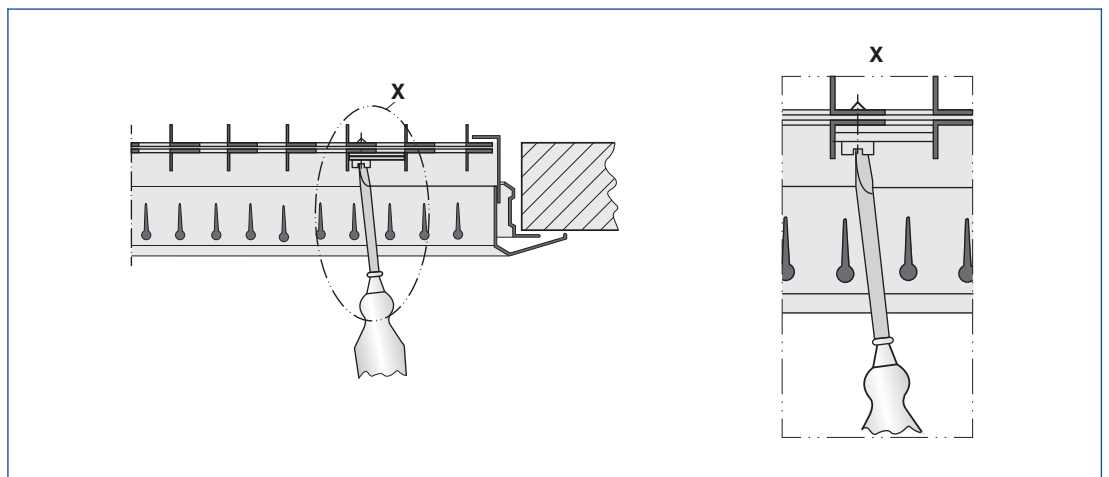
- Adjustable blades: Set the air control blades individually or together and depending on the local conditions
- D, DG: Air control blades, fitted at 90° to the front blades, can be adapted to the local conditions

Volume flow rate balancing -*G



Attachments -AG, -DG and Types AGW, DGW

Volume flow rate balancing -S



Attachments -AS, -KS, -RS and Type ASW

Principal dimensions

L [mm]

Nominal length of the ventilation grille

H [mm]

Nominal height of the ventilation grille

m [kg]

Weight

Nomenclature

L_{WA} [dB(A)]

Sound power level of the air-regenerated noise

\dot{V} [m^3/h] and [l/s]

Volume flow rate

Δp_t [Pa]

Total differential pressure

l_s [m]

Distance from single grille or horizontal run section (throw distance)