

TROXNETCOM Communication master

Kommunikationsmaster ohne Bildschirm TNC-HCM-EC



Communication master for up to 2 TNC-EASYCONTROL controls

- Without screen, external display via HTML5 (current browser)
- Factory installed TROXNETCOM Basic user software
- Interface for connection to a building management system (BMS) via Ethernet with the protocols Modbus/TCP (server/slave) and BACnet/IP
- For sending status messages of all dampers and smoke detectors to the building management system
- Certified BACnet implementation (BTL)
- BACnet configuration as EPICS and EDE files
- CAN controller interface (Controller Area Network) for up to 2 controls TNC-EASYCONTROL
- USB-A port for data backups and software updates
- 24 V DC supply, 1.25 A
- Remote diagnosis (TCP/IP) can be enabled
- For installation in control cabinet with fixing bracket



Product description	2	Specification text	4
Technical data	3	Dimensions	5

Product description

Application

- External display with browser (HTML5):
 - For visualisation and operation via web server
 - Communication master for up to 2 TNC-EASYCONTROL controls
- Modbus/TCP and BACnet/IP interface for connection to building management systems (BMS) without additional project planning effort
- With pre-installed TROXNETCOM Basic user software

Order code

TNC-HCM-EC Communication master without screen; with controller interface, based on CAN



Technical data

Screen	without
RAM	1 GB (max. 4 GB) DDR3
Ethernet	2 × ETH, RJ45
Casing material	Metal
Connection	Push-in spring type terminal, 1.5 mm ² max.
Installation	Horizontal
IEC protection class	IP20
Certification	CE, RoHS
Current consumption	24 V DC operation: ≤ 500 mA, power on: ≤ 1.25 A
Operating temperature range	0 °C – +50 °C
Communication interfaces	2 × Ethernet, RJ45, 2 × USB-A
Video interfaces	1 × Micro-HDMI
Switches and LEDs	5 diagnosis LEDs
Interface for TNC-EASYCONTROL	2 × CAN

Specification text

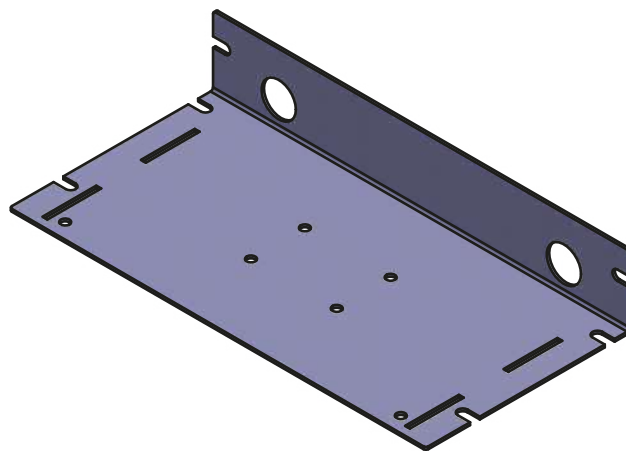
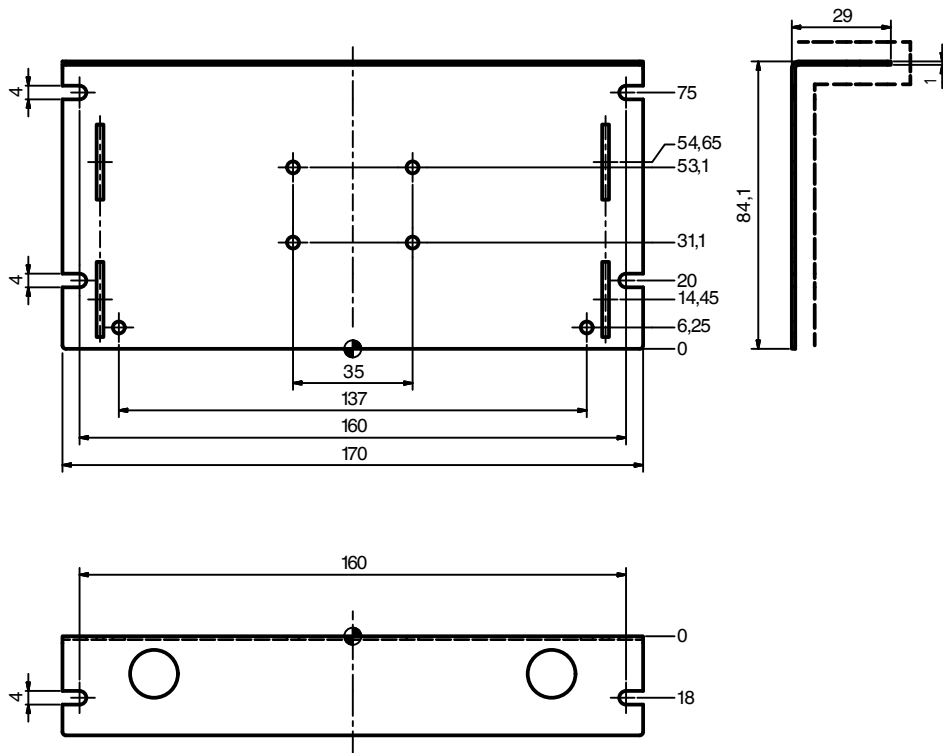
This specification text describes the general properties of the product. Texts for variants can be generated with our Easy Product Finder design program.

Specification text

Communication master for visualisation and operation via web server. Communication master for up to 20 AS-i controllers TNC-A1412 as controller network Ethernet.

- Without screen
- Interfaces: Modbus/TCP and BACnet/IP for connection to a building management system (BMS) without additional project planning effort
- CAN controller interface (Controller Area Network) for up to 2 controls TNC-EASYCONTROL
- With pre-installed TROXNETCOM Basic user software for control and display of the system statuses
- Automatic functional test, including documentation
- Real time clock
- Ethernet, USB
- Protection level: IP 20
- Supply voltage: 24 V DC
- Make: TROX GmbH or equivalent
- Type: TNC-HCM-EC

Dimensions



Fixing bracket