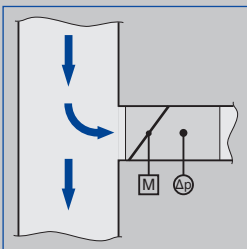


VAV terminal units

Type TZ-Silenzio



Rectangular connections on both ends



For all upstream conditions



Tested to VDI 6022

For supply air systems with demanding acoustic requirements and low airflow velocities

Rectangular VAV terminal units for the supply air or extract air control in buildings with variable air volume systems, demanding acoustic requirements and low airflow velocities

- Highly effective integral attenuator
- Optimised for airflow velocities of 0.7 – 6 m/s
- High control accuracy even in case of unfavourable upstream conditions
- Compact construction with rectangular connections on both ends
- Electronic control components for different applications (Easy, Compact, Universal, and LABCONTROL)
- Closed blade air leakage to EN 1751, class 4
- Casing air leakage to EN 1751, class B

Optional equipment and accessories

- Acoustic cladding for the reduction of case-radiated noise
- Secondary silencer Type TS for the reduction of air-regenerated noise
- Hot water heat exchanger of Type WT for reheating the airflow

Type		Page
TZ-Silenzio	General information	TZ-Si – 2
	Function	TZ-Si – 4
	Technical data	TZ-Si – 5
	Quick sizing	TZ-Si – 6
	Specification text	TZ-Si – 7
	Order code	TZ-Si – 8
	Variants	TZ-Si – 11
	Attachments	TZ-Si – 12
	Dimensions and weight	TZ-Si – 14
	Product details	TZ-Si – 15
	Installation details	TZ-Si – 16
	Basic information and nomenclature	TZ-Si – 19

Application

Application

- VARYCONTROL VAV terminal units of Type TZ-Silenzio for the supply air control in variable air volume systems with low airflow velocities
- Closed-loop volume flow control using an external power supply
- Integral attenuator for demanding acoustic requirements
- Shut-off by means of switching (equipment supplied by others)
- Hygiene tested and certified
- Direct connection of ducting
- Factory set-up or programming and aerodynamic function testing
- Volume flow rate can be measured and subsequently adjusted on site; additional adjustment tool may be necessary

Nominal sizes

- 125, 160, 200, 250, 315

Special characteristics

Description

Variants

- TZ-Silenzio: Supply air unit
- TZ-Silenzio-D: Supply air unit with acoustic cladding
- Units with acoustic cladding and/or secondary silencer Type TS for very demanding acoustic requirements
- Acoustic cladding cannot be retrofitted

Parts and characteristics

- Ready-to-commission unit which consists of mechanical parts and control components.
- Averaging differential pressure sensor for volume flow rate measurement
- Damper blade
- Integral attenuator
- Factory-assembled control components complete with wiring and tubing
- Aerodynamic function testing on a special test rig prior to shipping of each unit
- Set-up data is given on a label or volume flow rate scale affixed to the unit
- High control accuracy even in case of unfavourable upstream conditions

Attachments

- Easy controller: Compact unit with potentiometers
- Compact controller: Compact unit consisting of controller, differential pressure transducer and actuator
- Universal controller: Controller, differential pressure transducer and actuators for special

applications

- LABCONTROL: Control components for air management systems

Useful additions

- Secondary silencer Type TS
- Heat exchanger Type WT

Construction features

- Rectangular casing
- Replaceable seals
- Flanges on both ends for connection to ductwork
- Position of the damper blade indicated externally at shaft extension
- Thermal and acoustic insulation (lining)

Materials and surfaces

- Casing made of galvanised sheet steel
- Damper blade and differential pressure sensor made of aluminium
- Lining is mineral wool
- Plastic bearings

Variant with acoustic cladding (-D)

- Acoustic cladding made of galvanised sheet steel
- Lining is mineral wool
- Rubber elements for the insulation of structure-borne noise

Mineral wool

- To EN 13501, fire rating class A1, non-

- combustible
- RAL quality mark RAL-GZ 388
- Biosoluble and hence hygienically safe according to the German TRGS 905 (Technical Rules for Hazardous Substances) and EU directive 97/69/EG
- Faced with glass fibre fabric as protection against erosion through airflow velocities of up to 20 m/s
- Inert to fungal and bacterial growth

Standards and guidelines

- Hygiene conforms to VDI 6022

- VDI 2083, air cleanliness class 3, and US standard 209E, class 100
- Closed blade air leakage to EN 1751, class 4
- Meets the increased requirements of DIN 1946, part 4, with regard to the acceptable closed blade air leakage
- Casing air leakage to EN 1751, class B

Maintenance

- Maintenance-free as construction and materials are not subject to wear

Functional description

The VAV terminal unit is fitted with a differential pressure sensor for measuring the volume flow rate.

The control components (attachments) include a differential pressure transducer that transforms the differential pressure (effective pressure) into an electric signal, a controller, and an actuator; the control functions can be achieved with an Easy controller, with a Compact controller, or with

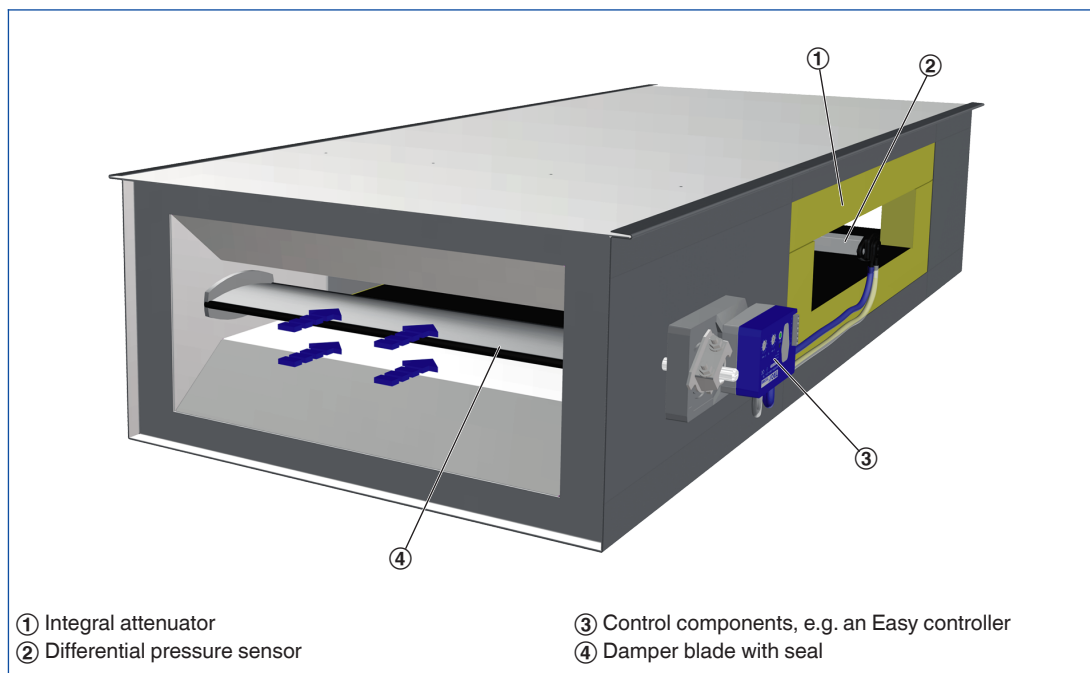
individual components (Universal).

For most applications, the setpoint value comes from a room temperature controller.

The controller compares the actual value with the setpoint value and alters the control signal of the actuator if there is a difference between the two values.

An integral attenuator reduces the noise that is created by the restriction of the airflow.

Schematic illustration of the TZ-Silenzio



Nominal sizes	125 – 315
Volume flow rate range	30 – 840 l/s or 108 – 3024 m ³ /h
Volume flow rate control range (unit with dynamic differential pressure measurement)	Approx. 10 to 100 % of the nominal volume flow rate
Minimum differential pressure	5 – 65 Pa
Maximum differential pressure	1000 Pa
Operating temperature	10 – 50 °C

Volume flow rate ranges

The minimum differential pressure of VAV terminal units is an important factor in designing the ductwork and in rating the fan including speed control.

Sufficient duct pressure must be ensured for all operating conditions and for all control units. The measurement points for fan speed control must be selected accordingly.

The volume flow rates given for VAV terminal units

depend on the nominal size and on the control component (attachment) that is installed. The table gives the minimum and maximum values for a VAV terminal unit. Some control components may only have a limited volume flow rate range. This applies in particular to control components with a static differential pressure transducer. For volume flow rate ranges for all control components refer to our Easy Product Finder design programme.

TZ-Silenzio, Volume flow rate ranges and minimum differential pressures

Nominal size	①	②	$\Delta p_{st \min}$		$\Delta \dot{V}$
	\dot{V}		Pa		$\pm \%$
	l/s	m ³ /h	Pa	Pa	
125	30	108	5	5	8
	70	252	10	20	7
	125	450	35	60	5
	180	648	65	120	5
160	45	162	5	5	8
	110	396	10	20	7
	195	702	30	55	5
	275	990	55	105	5
200	65	234	5	5	8
	150	540	10	20	7
	265	954	30	60	5
	380	1368	55	120	5
250	85	306	5	5	8
	200	720	10	20	7
	345	1242	30	60	5
	495	1782	60	115	5
315	145	522	5	5	8
	335	1206	15	20	7
	590	2124	35	50	5
	840	3024	65	105	5

① TZ-Silenzio

② TZ-Silenzio with secondary silencer TS

Quick sizing tables provide a good overview of the room sound pressure levels that can be expected. Approximate intermediate values can be interpolated. Precise intermediate values and spectral data can be calculated with our Easy Product Finder design programme.

The first selection criteria for the nominal size are the actual volume flow rates \dot{V}_{\min} and \dot{V}_{\max} . The quick sizing tables are based on generally accepted attenuation levels. If the sound pressure level exceeds the required level, a larger air terminal unit and/or a silencer is required.

TZ-Silenzio, Sound pressure level at differential pressure 150 Pa

Nominal size	\dot{V} l/s	\dot{V} m ³ /h	Air-regenerated noise		Case-radiated noise	
			①	②	①	③
			L _{PA}	L _{PA1}	L _{PA2}	L _{PA3}
			dB (A)			
125	30	108	15	5	10	8
	70	252	26	16	19	19
	125	450	34	23	26	26
	180	648	39	28	30	31
160	45	162	15	5	13	10
	110	396	27	17	22	21
	195	702	34	23	29	29
	275	990	37	27	34	34
200	65	234	13	1	12	8
	150	540	23	12	22	18
	265	954	29	17	28	26
	380	1368	32	22	33	31
250	85	306	14	3	13	8
	200	720	23	12	23	19
	345	1242	28	17	30	26
	495	1782	32	20	34	31
315	145	522	15	4	17	12
	335	1206	23	11	27	23
	590	2124	28	16	35	31
	840	3024	32	21	39	36

- ① TZ-Silenzio
- ② TZ-Silenzio with secondary silencer TS
- ③ TZ-Silenzio-D

This specification text describes the general properties of the product. Texts for variants can be generated with our Easy Product Finder design programme.

Rectangular VAV terminal units for variable and constant air volume systems for demanding acoustic requirements, suitable for supply or extract air, available in 5 nominal sizes. High control accuracy even in case of unfavourable upstream conditions. Ready-to-commission unit which consists of the mechanical parts and the electronic control components. Each unit contains an averaging differential pressure sensor for volume flow rate measurement, a damper blade, and an integral attenuator. Factory-assembled control components complete with wiring and tubing. Differential pressure sensor with 3 mm measuring holes (resistant to dust and pollution) Both ends suitable for the connection of air duct profiles. Casing with acoustic and thermal insulation. Position of the damper blade indicated externally at shaft extension. Closed blade air leakage to EN 1751, class 4. Casing air leakage to EN 1751, class B. Complies with VDI 2083, clean room class 3, and US standard 209E, class 100. Hygiene complies with VDI 6022, DIN 1946, part 4, as well as EN 13779 and VDI 3803.

Special characteristics

- Hygiene tested and certified
- Direct connection of ducting
- Factory set-up or programming and aerodynamic function testing
- Volume flow rate can be measured and subsequently adjusted on site; additional adjustment tool may be necessary

Materials and surfaces

- Casing made of galvanised sheet steel
- Damper blade and differential pressure sensor made of aluminium
- Lining is mineral wool
- Plastic bearings

Variant with acoustic cladding (-D)

- Acoustic cladding made of galvanised sheet steel
- Lining is mineral wool
- Rubber elements for the insulation of structure-borne noise

Mineral wool

- To EN 13501, fire rating class A1, non-combustible
- RAL quality mark RAL-GZ 388
- Biosoluble and hence hygienically safe according to the German TRGS 905 (Technical

- Rules for Hazardous Substances) and EU directive 97/69/EG
- Faced with glass fibre fabric as protection against erosion through airflow velocities of up to 20 m/s
- Inert to fungal and bacterial growth

Technical data

- Nominal sizes: 125 – 315
- Volume flow rate range: 30 to 840 l/s or 108 to 3024 m³/h
- Volume flow rate control range (unit with dynamic differential pressure measurement): approx. 10 to 100 % of the nominal volume flow rate
- Minimum differential pressure: 5 – 65 Pa
- Maximum differential pressure: 1000 Pa

Attachments

Variable volume flow control with electronic Easy controller to connect an external control signal; actual value signal can be integrated into the central BMS.

- Supply voltage 24 V AC/DC
- Signal voltages 0 – 10 V DC
- Possible override controls with external switches using volt-free contacts: CLOSED, OPEN, \dot{V}_{\min} and \dot{V}_{\max}
- Potentiometers with percentage scales to set the volume flow rates \dot{V}_{\min} and \dot{V}_{\max}
- The actual value signal relates to the nominal volume flow rate such that commissioning and subsequent adjustment are simplified
- Volume flow rate control range: approx. 10 – 100 % of the nominal volume flow rate
- Clearly visible external indicator light for signalling the functions: Set, not set, and power failure

Electrical connections with screw terminals. Double terminals for looping the supply voltage, i.e. for the simple connection of voltage transmission to the next controller.

Sizing data

- \dot{V} _____
[m³/h]
- Δp_{st} _____
[Pa]

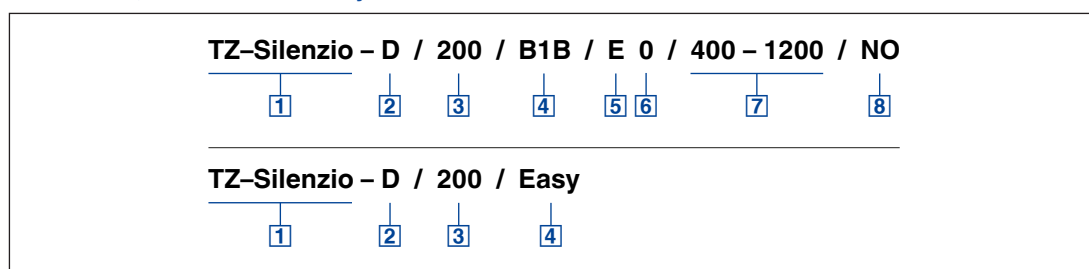
Air-regenerated noise

- L_{PA} _____
[dB(A)]

Case-radiated noise

- L_{PA} _____
[dB(A)]

TZ-Silenzio, TZ-Silenzio/.../Easy



1 Type

TZ-Silenzio VAV terminal unit, supply air

2 Acoustic cladding

No entry: none

D With acoustic cladding

3 Nominal size

125

160

200

250

315

4 Attachments (control component)

Example

Easy Easy controller

BC0 Compact controller

B13 Universal controller

5 Operating mode

E Single

M Master

S Slave

F Constant value

Z Differential pressure control – supply air

6 Signal voltage range

For the actual and setpoint value signals

0 0 – 10 V DC

2 2 – 10 V DC

7 Volume flow rates [m³/h or l/s], differential pressure [Pa]

\dot{V}_{\min} – \dot{V}_{\max} for factory setting

Δp_{\min} for factory setting (operating mode A)

8 Damper blade position

Only with spring return actuators

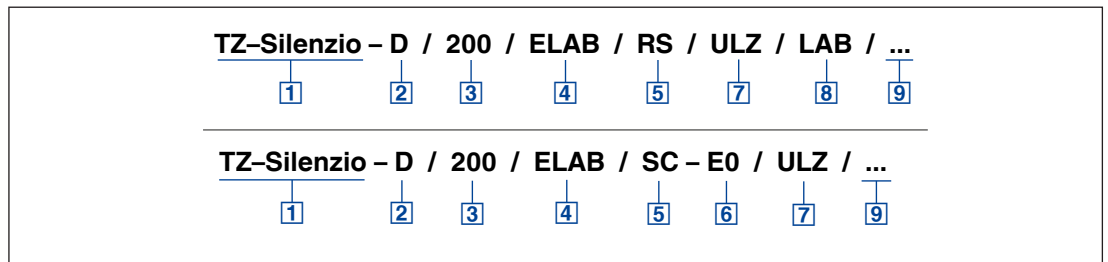
NO Power off to OPEN

NC Power off to CLOSE

Order example: TZ-Silenzio/200/BC0/E0/300–1200 m³/h

Acoustic cladding	Without
Nominal size	200
Attachment	Compact controller
Operating mode	Single
Signal voltage range	0 – 10 V DC
Volume flow rate	300 – 1200 m ³ /h

TZ-Silenzio with EASYLAB for room control and single operation



1 Type

TZ-Silenzio VAV terminal unit, supply air

2 Acoustic cladding

No entry: none
D With acoustic cladding

3 Nominal size

125
160
200
250
315

4 Attachments (control component)

ELAB EASYLAB controller TCU3 with fast-running actuator

5 Equipment function

Room control
RS Supply air control (Room Supply)
PC Differential pressure control

Single operation
SC Supply air controller

6 External volume flow rate setting

Only for single operation
E0 Voltage signal 0 – 10 V DC
E2 Voltage signal 2 – 10 V DC
2P On-site switch contacts for 2 switching steps
3P On-site switch contacts for 3 switching steps
F Volume flow rate constant value, without signalling

7 Module expansions

Option 1: Power supply
No entry: 24 V AC
T EM-TRF for 230 V AC
U EM-TRF-USV for 230 V AC, provides uninterruptible power supply (UPS)

Option 2: Communication interface
No entry: none

L EM-LON for LonWorks FTT-10A
B EM-BAC-MOD-01 for BACnet MS/TP
M EM-BAC-MOD-01 for Modbus RTU
I EM-IP for BACnet/IP, Modbus/IP and webserver
R EM-IP with real time clock

Option 3: Automatic zero point correction
No entry: none

Z EM-AUTOZERO Solenoid valve for automatic zero point correction

8 Additional functions

Only for room control (equipment function)
Raum management function has been deactivated

LAB Extract air led system (laboratories)
CLR Supply air led system (clean rooms)
Raum management function is active
LAB-RMF Extract air led system (LAB)
CLR-RMF Supply air led system (CLR)

9 Operating values [m³/h or l/s, Pa]

For equipment function 'room control' with additional function RMF

Total room extract air/supply air
 \dot{V}_1 : Standard mode
 \dot{V}_2 : Reduced operation
 \dot{V}_3 : Increased operation
 \dot{V}_4 : Constant room supply air
 \dot{V}_5 : Constant room extract air
 \dot{V}_6 : Supply air/extract air difference
 $\Delta p_{\text{setpoint}}$: Setpoint pressure (only with differential pressure control)

For equipment function 'single operation'

E0, E2: $\dot{V}_{\text{min}} / \dot{V}_{\text{max}}$
2P: \dot{V}_1 / \dot{V}_2
3P: $\dot{V}_1 / \dot{V}_2 / \dot{V}_3$
F: \dot{V}_1

Useful additions

Room control panel
BE-LCD-01 40-character display

Order example: TZ-Silenzio/200/ELAB/RS/LAB

Acoustic cladding	Without
Nominal size	200
Attachment	EASYLAB controller TCU3 with fast-running actuator
Equipment function	Supply air control (Room Supply)
Additional function	Extract air led system for laboratories

TZ-Silenzio

- VAV terminal unit for the control of variable

supply air volume flows

TZ-Silenzio-D

- VAV terminal unit with acoustic cladding for the control of variable supply air volume flows
 - For rooms where the case-radiated noise of the unit is not sufficiently reduced by a false ceiling
- The ducts for the room under consideration must have adequate acoustic insulation (to be provided by others) on the fan end
 - Acoustic cladding cannot be retrofitted

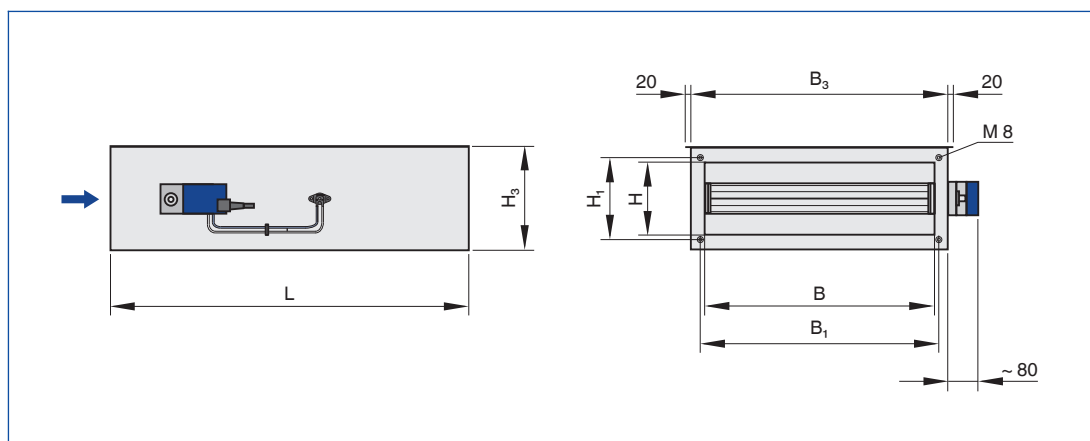
TZ-Silenzio, VARYCONTROL control components

Order code detail	Controlled variable	Controller	Differential pressure transducer	Actuator	
Easy controller					
Easy	Volume flow rate	Easy controller TROX	Dynamic, integral	Integral	
Compact controller, dynamic					
BC0	Volume flow rate	Compact controller with MP bus interface TROX/Belimo	Dynamic, integral	Integral	
BL0		Compact controller with LonWorks interface TROX/Belimo			
BM0		Compact controller with Modbus RTU interface (with connecting cable) TROX/Belimo			
BM0-J6		Compact controller with Modbus RTU interface (with socket) TROX/Belimo			
XB0		Compact controller TROX/Gruner			
LN0		Compact controller Siemens			
LK0		Compact controller with KNX interface Siemens			
Compact controller, static					
SA0	Volume flow rate	Compact controller with SLC interface Sauter	Static, integral	Integral	
SC0				Fast-running actuator, integral	
Universal controller, dynamic					
B13	Volume flow rate	Universal controller TROX/Belimo	Dynamic, integral	Actuator	
B1B				Universal controller TROX/Gruner	Spring return actuator
XC3					
Universal controller, static					
BP3	Volume flow rate	Universal controller with MP bus interface TROX/Belimo	Static	Actuator	
BPB				Universal controller TROX/Belimo	Spring return actuator
BPG					Universal controller TROX/Gruner
BB3		Universal controller TROX/Belimo			
BBB				Universal controller TROX/Gruner	
XD1					Static, integral
XD3	Spring return actuator				
BR3					
BRB		Differential pressure	Universal controller with MP bus interface TROX/Belimo	Static, integral 100 Pa	Actuator
BRG	Differential pressure controller TROX/Belimo				Spring return actuator
BG3			Differential pressure controller TROX/Gruner		Fast-running actuator
BGB	Actuator				
XE1					Spring return actuator
XE3			Actuator		

TZ-Silenzio, LABCONTROL control components

Order code detail	Controlled variable	Controller	Differential pressure transducer	Actuator
EASYLAB				
ELAB	Room supply air Room pressure Single controller	EASYLAB controller TCU3	Static, integral	Fast-running actuator

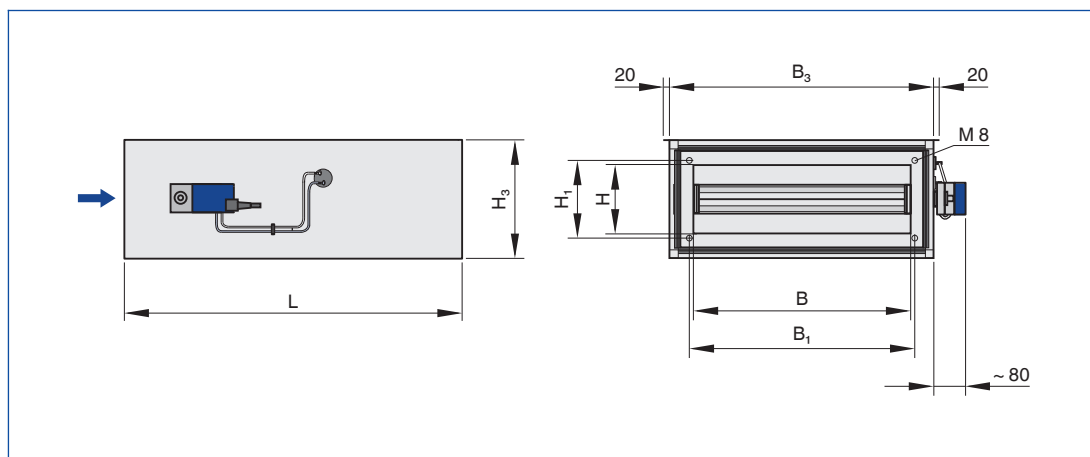
TZ-Silenzio



TZ-Silenzio

Nominal size	L	B ₃	H ₃	B	B ₁	H	H ₁	m
	mm	mm	mm	mm	mm	mm	mm	kg
125	1035	300	236	198	232	152	186	17
160	1035	410	236	308	342	152	186	21
200	1250	560	281	458	492	210	244	32
250	1250	700	311	598	632	201	235	41
315	1250	900	361	798	832	252	286	54

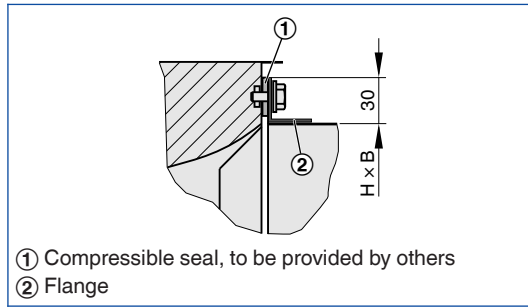
TZ-Silenzio-D



TZ-Silenzio-D

Nominal size	L	B ₃	H ₃	B	B ₁	H	H ₁	m
	mm	mm	mm	mm	mm	mm	mm	kg
125	1035	380	316	198	232	152	186	32
160	1035	490	316	308	342	152	186	38
200	1250	640	361	458	492	210	244	64
250	1250	780	391	598	632	201	235	72
315	1250	980	441	798	832	252	286	91

Detail of flange



Installation and commissioning

- Any installation orientation (except units with static differential pressure transducer)
- Return edges of the casing with drilled holes suitable for M10 threaded rods
- TZ-Silenzio-D: For constructions with acoustic cladding, ducts on the room side should have cladding up to the acoustic cladding of the controller

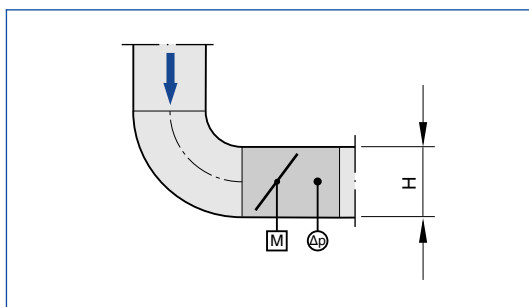
Upstream conditions

The volume flow rate accuracy $\Delta\dot{V}$ applies to a straight upstream section of the duct. Bends, junctions or a narrowing or widening of the duct cause turbulence that may affect measurement. Duct connections, e.g. branches off the main duct, must comply with EN 1505. Some installation situations require straight duct sections upstream.

Space required for commissioning and maintenance

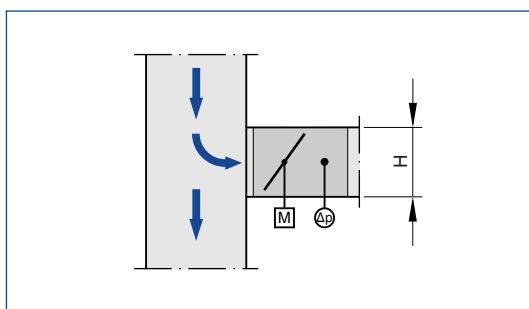
Sufficient space must be kept clear near any attachments to allow for commissioning and maintenance. It may be necessary to provide sufficiently sized inspection access openings.

Bend, vertical



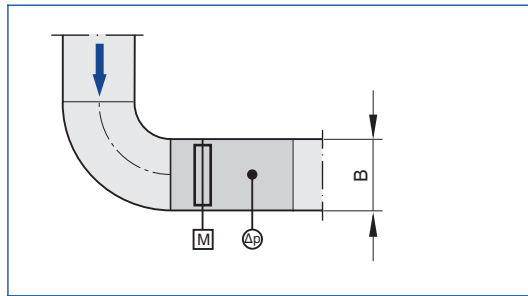
A bend – without a straight duct section upstream of the VAV terminal unit – has only a negligible effect on the volume flow rate accuracy.

Junction, vertical



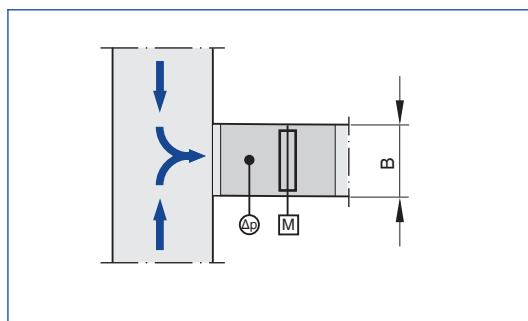
The stated volume flow rate accuracy $\Delta\dot{V}$ will be achieved even when the VAV terminal unit is installed in a branch just off the main duct.

Bend, horizontal



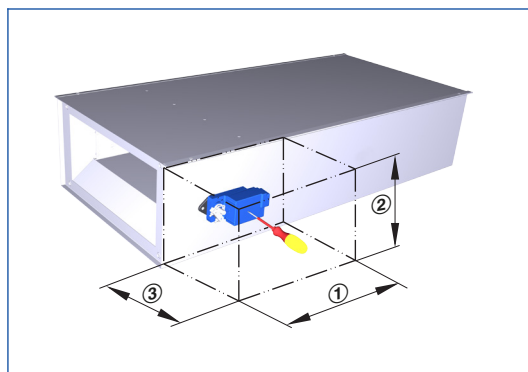
A bend – without a straight duct section upstream of the VAV terminal unit – has only a negligible effect on the volume flow rate accuracy.

Convergence of two airflows, horizontal



The stated volume flow rate accuracy $\Delta\dot{V}$ will be achieved even when the VAV terminal unit is installed at a junction and at the point of convergence of two airflows.

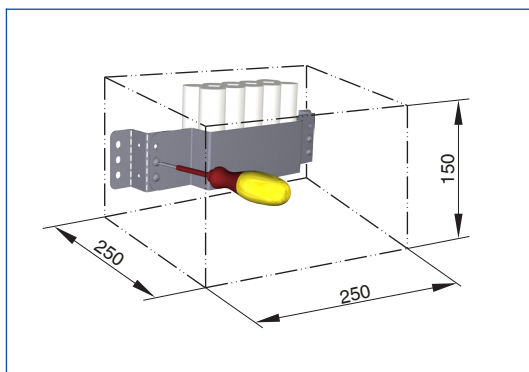
Access to attachments



Space required

Attachments	①	②	③
	mm		
VARYCONTROL			
Easy controller	700	300	300
Compact controller	700	300	300
Universal controller	700	300	300
LABCONTROL			
EASYLAB	700	350	400

Access to battery pack



Separate space for fixing and accessing the battery pack (LABCONTROL EASYLAB accessory)

Principal dimensions

ØD [mm]

VAV terminal units made of stainless steel:
Outside diameter of the spigot
VAV terminal units made of plastic: Inside diameter of the connecting spigot

ØD₁ [mm]

Pitch circle diameter of flanges

ØD₂ [mm]

Outside diameter of flanges

ØD₄ [mm]

Inside diameter of the screw holes of flanges

L [mm]

Length of unit including connecting spigot

L₁ [mm]

Length of casing or acoustic cladding

B [mm]

Duct width

B₁ [mm]

Screw hole pitch of flange (horizontal)

B₂ [mm]

Outside dimension of flange (width)

B₃ [mm]

Width of device

H [mm]

Duct height

H₁ [mm]

Screw hole pitch of flange (vertical)

H₂ [mm]

Outside dimension of flange (height)

H₃ [mm]

Unit height

n []

Number of flange screw holes

T [mm]

Flange thickness

m [kg]

Unit weight including the minimum required attachments (e.g. Compact controller)

Acoustic data

f_m [Hz]

Octave band centre frequency

L_{PA} [dB(A)]

A-weighted sound pressure level of air-regenerated noise of the VAV terminal unit, system attenuation taken into account

L_{PA1} [dB(A)]

A-weighted sound pressure level of air-regenerated noise of the VAV terminal unit with secondary silencer, system attenuation taken into account

L_{PA2} [dB(A)]

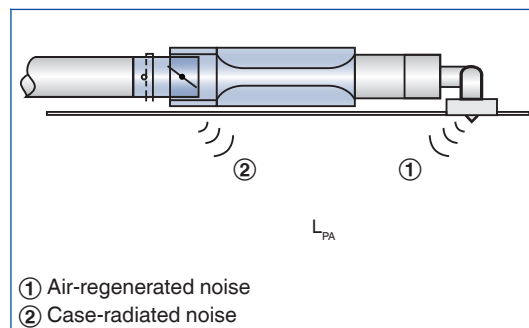
A-weighted sound pressure level of case-regenerated noise of the VAV terminal unit, system attenuation taken into account

L_{PA3} [dB(A)]

A-weighted sound pressure level of case-regenerated noise of the VAV terminal unit with acoustic cladding, system attenuation taken into account

All sound pressure levels are based on 20 µPa.

Definition of noise



Volume flow rates

\dot{V}_{nom} [m³/h] and [l/s]

Nominal volume flow rate (100 %)

- The value depends on product type and nominal size
- Values are published on the internet and in technical leaflets, and stored in the Easy

- Product Finder design software.
- Reference value for calculating percentages (e.g. \dot{V}_{\max})
- Upper limit of the setting range and maximum volume flow rate setpoint value for the VAV terminal unit

 $\dot{V}_{\min \text{ unit}}$ [m^3/h] and [l/s]

- Technically possible minimum volume flow rate
- The value depends on product type, nominal size and control component (attachment)
 - Values are stored in the Easy Product Finder design software
 - Lower limit of the setting range and minimum volume flow rate setpoint value for the VAV terminal unit
 - Depending on the controller, setpoint values below $\dot{V}_{\min \text{ unit}}$ (if \dot{V}_{\min} equals zero) may result in unstable control or shut-off

 \dot{V}_{\max} [m^3/h] and [l/s]

- Upper limit of the operating range for the VAV terminal unit that can be set by customers
- \dot{V}_{\max} can only be smaller than or equal to \dot{V}_{nom}
 - In case of analog signalling to volume flow controllers (which are typically used), the set maximum value (\dot{V}_{\max}) is allocated to the

setpoint signal maximum (10 V) (see characteristic)

 \dot{V}_{\min} [m^3/h] and [l/s]

- Lower limit of the operating range for the VAV terminal unit that can be set by customers
- \dot{V}_{\min} should be smaller than or equal to \dot{V}_{\max}
 - Do not set \dot{V}_{\min} smaller than $\dot{V}_{\min \text{ unit}}$, otherwise the control may become unstable or the damper blade may close
 - \dot{V}_{\min} may equal zero
 - In case of analog signalling to volume flow controllers (which are typically used), the set minimum value (\dot{V}_{\min}) is allocated to the setpoint signal minimum (0 or 2 V) (see characteristic)

 \dot{V} [m^3/h] and [l/s]

Volume flow rate

 $\Delta\dot{V}$ [$\pm \%$]

Volume flow rate tolerance from setpoint value

 $\Delta\dot{V}_{\text{warm}}$ [$\pm \%$]

Volume flow rate tolerance for the warm air flow of dual duct terminal units

Differential pressure **Δp_{st} [Pa]**

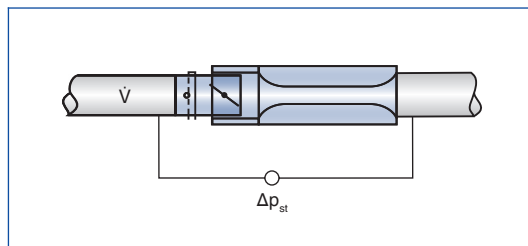
Static differential pressure

 $\Delta p_{\text{st min}}$ [Pa]

Static differential pressure, minimum

- The static minimum differential pressure is equal to the pressure loss of the VAV terminal unit when the damper blade is open, caused by flow resistance (sensor tubes, damper mechanism)

- If the pressure on the VAV terminal unit is too low, the setpoint volume flow rate may not be achieved, not even when the damper blade is open
- Important factor in designing the ductwork and in rating the fan including speed control
- Sufficient duct pressure must be ensured for all operating conditions and for all terminal units, and the measurement point or points for speed control must have been selected accordingly to achieve this

Static differential pressure**Construction****Galvanised sheet steel**

- Casing made of galvanised sheet steel
- Parts in contact with the airflow as described for the product type
- External parts, e.g. mounting brackets or covers, are usually made of galvanised sheet steel

Powder-coated surface (P1)

- Casing made of galvanised sheet steel, powder-coated RAL 7001, silver grey
- Parts in contact with the airflow are powder-coated or made of plastic
- Due to production, some parts that come into contact with the airflow may be stainless steel or aluminium, powder-coated
- External parts, e.g. mounting brackets or

covers, are usually made of galvanised sheet steel

Stainless steel (A2)

- Casing made of stainless steel 1.4201

- Parts in contact with the airflow are powder-coated or made of stainless steel
- External parts, e.g. mounting brackets or covers, are usually made of galvanised sheet