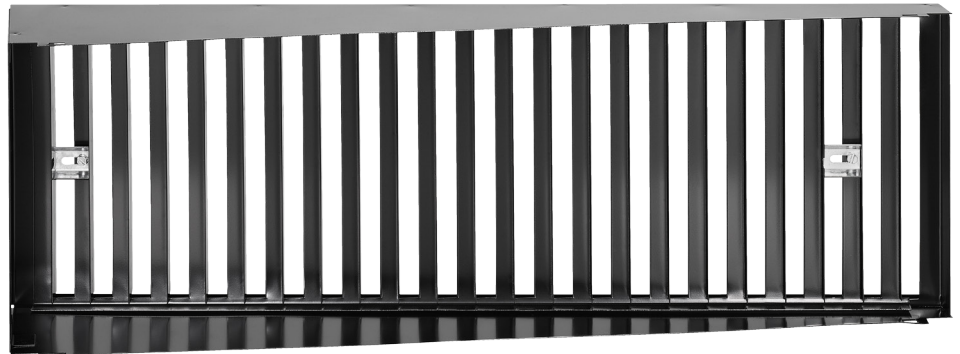


# Attachments

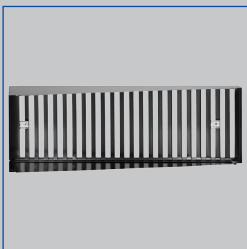
## Attachments for volume flow rate balancing and air direction control



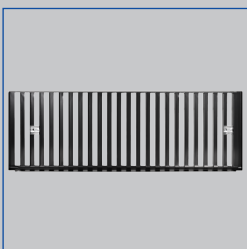
### Attachments for Type TRS-K and Type TRS-R ventilation grilles, made of sheet steel, for volume flow rate balancing

Attachments with manually adjustable blades

- Volume flow rate balancing
- Hit and miss damper with airflow straighteners
- Skimming hit and miss damper with airflow straighteners



5



S

Type		Page
K*, R* – Ventilation grilles	General information	K*R* – 2
	Function	K*R* – 3
	Variants	K*R* – 4
	Dimensions and weight	K*R* – 5
	Commissioning	K*R* – 7

---

**Application**

**Application**

- Attachments for ventilation grilles offer additional functions
- For volume flow rate balancing
- Damper units simplify the volume flow rate

- balancing required for commissioning, for supply air and extract air
- Ventilation grille need not be removed for adjustment

---

**Description**

**Variants**

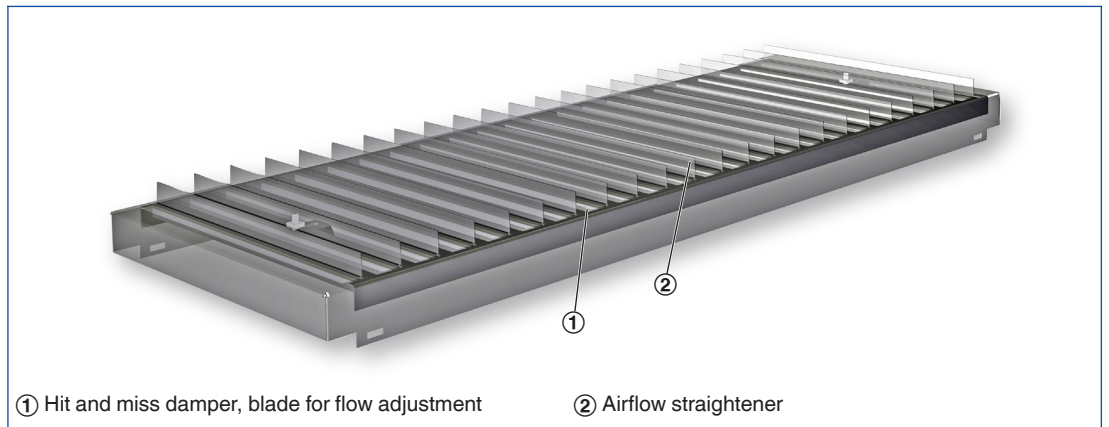
- S: Hit and miss damper
- 5: Slanting special hit and miss damper

- materials are not subject to wear
- Inspection and cleaning to VDI 6022

**Maintenance**

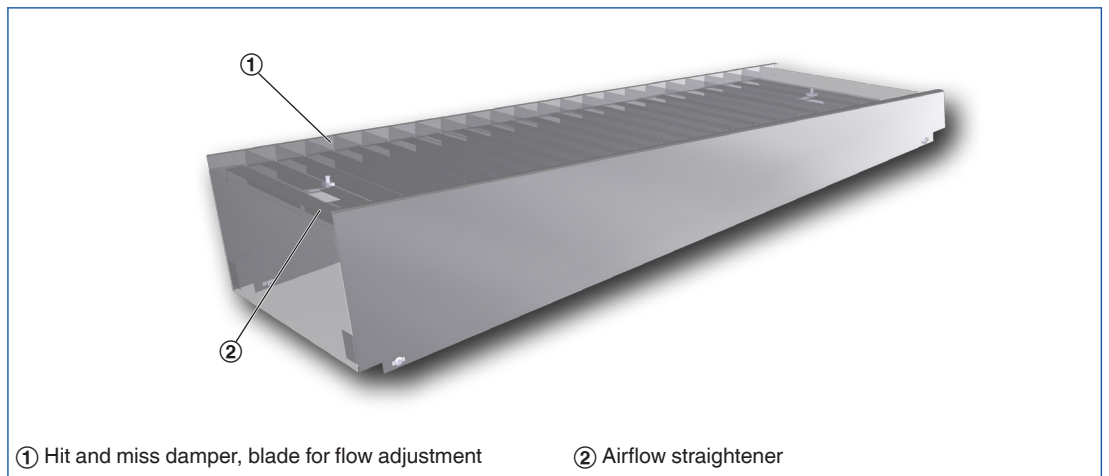
- Maintenance-free as construction and

Schematic illustration of -S



Attachments -AS, -S

Schematic illustration of -5

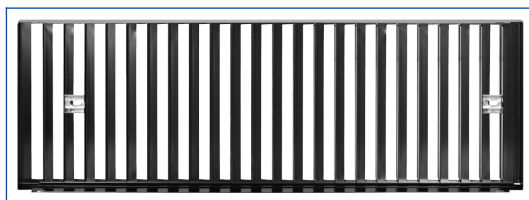


Any attachments are to be defined with the order code of the ventilation grille.

**Attachments for ventilation grilles of Types TRS-K, TRS-R**

Type of ventilation grille	Attachment	
	-*S Hit and miss damper	-*5 Special hit and miss damper
Installation into rectangular ducts		
TRS-K	●	●
Installation into circular ducts		
TRS-R	●	●

**S**



**-\*S**

**Application**

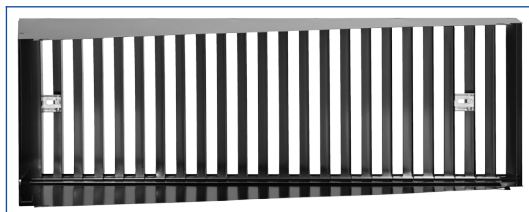
- For volume flow rate balancing
- Damper units simplify the volume flow rate balancing required for commissioning, preferably for extract air

- Ventilation grille need not be removed for adjustment

**Parts and characteristics**

- Hit and miss damper elements with airflow straighteners
- Can be adjusted and set with screws

**5**



**-\*5**

**Application**

- For volume flow rate balancing
- Slanting hit and miss damper that ensures a uniform airflow through the grille face
- Damper units simplify the volume flow rate balancing required for commissioning,

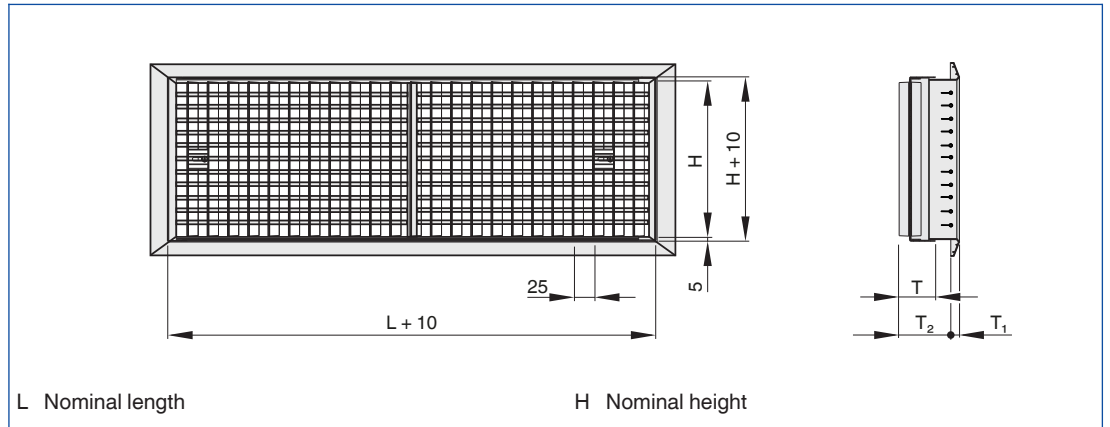
- preferably for extract air
- Ventilation grille need not be removed for adjustment

**Parts and characteristics**

- Hit and miss damper elements with airflow straighteners
- Can be adjusted and set with screws

The weight table shows the available nominal sizes

**-S**



Attachments -AS, -S

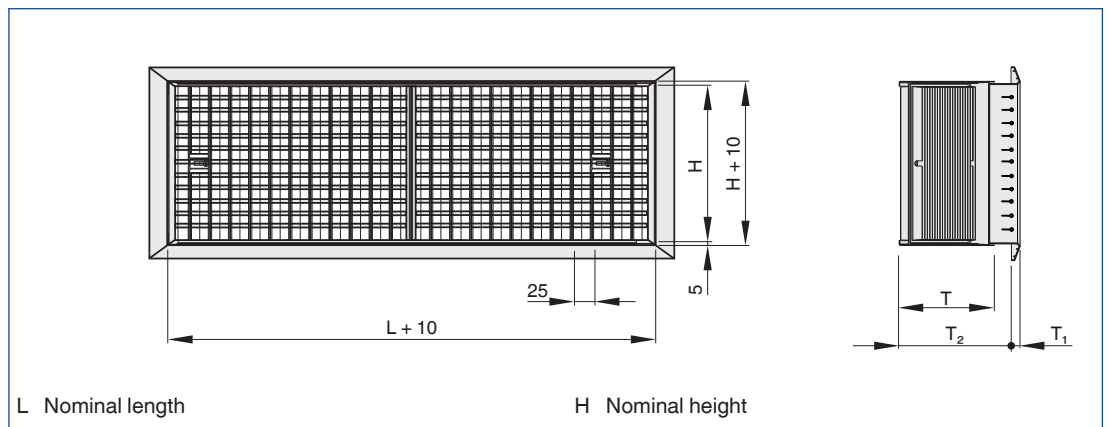
**-\*S**

Product type	T mm	T <sub>1</sub> mm	T <sub>2</sub> mm
TRS-K	42	7	63

**-\*S**

Product type	Nominal height mm	T mm	T <sub>2</sub> mm
TRS-R	75	42	70
	125	42	74
	225	42	86

**-5**



-\*5

Product type	L	T <sub>1</sub>	T <sub>2</sub>
	mm		
TRS-K	225	7	87
TRS-K	325	7	99
TRS-K	425	7	112
TRS-K	525	7	124
TRS-K	625	7	136
TRS-K	825	7	160
TRS-K	1025	7	185
TRS-K	1225	7	210

-\*5

Product type	L	H [mm]		
		75	125	225
		T <sub>2</sub>		
mm				
TRS-R	225	95	99	
TRS-R	325	107	111	123
TRS-R	425	119	123	136
TRS-R	525	131	135	147
TRS-R	625	143	147	159
TRS-R	825	162	171	183
TRS-R	1025	191	195	207
TRS-R	1225	215	211	231

**Volume flow rate balancing**

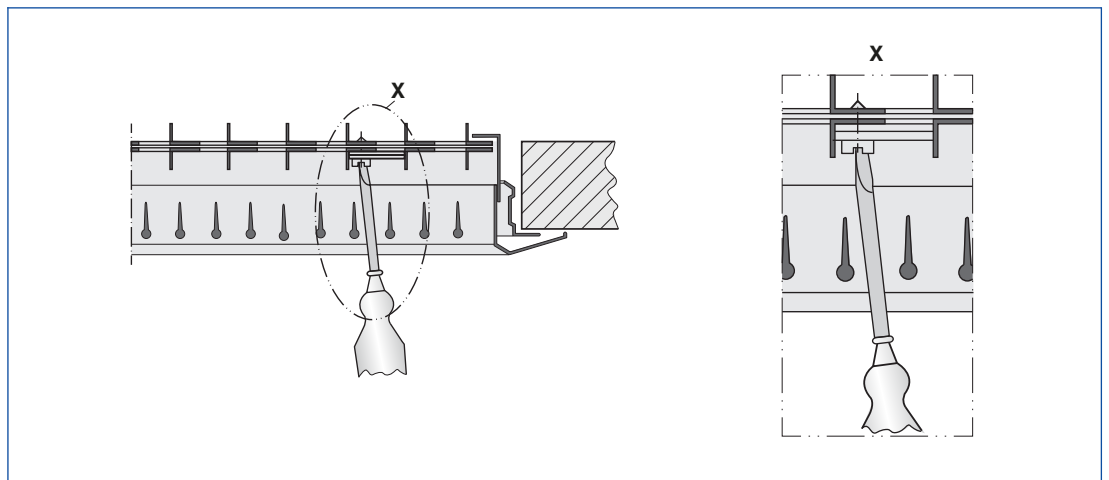
When several ventilation grilles are installed on the same duct, it may be necessary to balance the volume flow rates.

- AG: Damper unit with opposed action blades, adjustable, secured with a locking screw
- AS: Damper unit with hit and miss damper, adjustable, secured with a locking screw

**Air pattern**

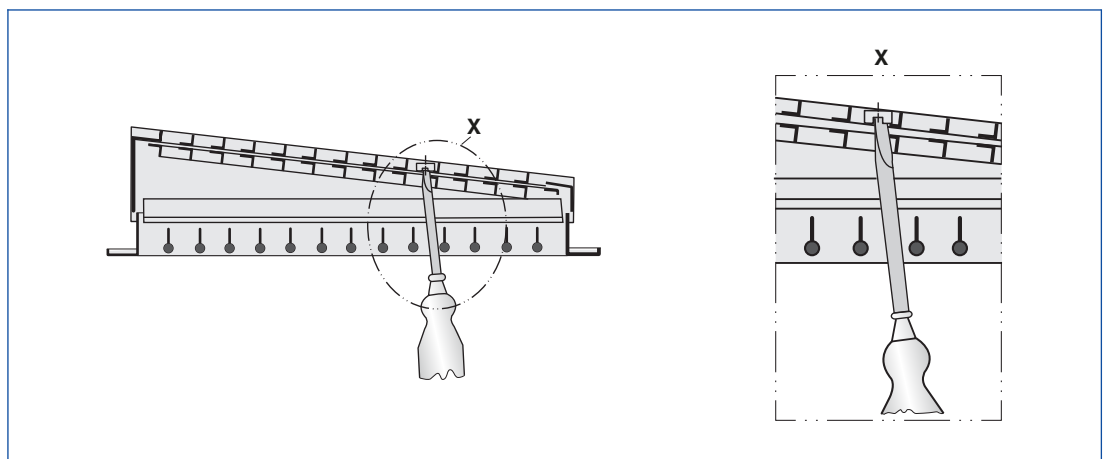
- Adjustable blades: Set the air control blades individually or together and depending on the local conditions
- D, DG: Air control blades, fitted at 90° to the front blades, can be adapted to the local conditions

**Volume flow rate balancing -S**



Attachments -AS, -KS, -RS and Type ASW

**Volume flow rate balancing -5**



Attachments -5