

Duct smoke detectors

Type RM-O-3-D



3

For smoke detection in ducts

Duct smoke detector used to prevent smoke from spreading through the ducts of ventilation and air conditioning systems

- To provide the control input signal for fire dampers
- To provide the control input signal for smoke protection dampers
- Can be installed into the inspection access openings of rectangular fire dampers
- For airflow velocities up to 20 m/s
- For any airflow direction
- Contamination level indicator
- Automatic adjustment of the alarm threshold, hence long service life and little requirement for maintenance
- Volt-free signal and alarm relays

Optional equipment and accessories

- Integration into the central BMS with TROXNETCOM
- Voltage monitoring module (24 V DC)



With TROXNETCOM
as an option



Tested to VDI 6022

Type		Page
RM-O-3-D	General information	3.1 – 8
	Order code	3.1 – 10
	Dimensions and weight	3.1 – 11
	Specification text	3.1 – 12
	Basic information and nomenclature	3.2 – 1

Variant

Product example

Duct smoke detector RM-O-3-D



Description



Duct smoke detector
RM-O-3-D

Application

- Duct smoke detectors of Type RM-O-3-D are used to control fire dampers with electric or electric-pneumatic release mechanisms (power off to close)
- Control of smoke protection dampers with electric spring return actuators
- Used to prevent smoke from spreading through the ducts of ventilation and air conditioning systems
- Integration into the central BMS with TROXNETCOM

Classification

- Building inspectorate licence Z-78.6-67 from the DIBt, Berlin, Germany

Variants

- RM-O-3-D: Duct smoke detector

Accessories

- Voltage monitoring module (24 V DC)

Special characteristics

- Smoke detection based on the principle of light scattering
- For airflow velocities from 1 to 20 m/s
- For any airflow direction
- Can be fitted onto the FK-EU
- With volt-free signal and alarm relays
- Integral signal lamps
- Contamination level indicator and automatic adjustment of the alarm threshold, hence long service life
- Can be used with products of any make or model
- Annual maintenance

Parts and characteristics

- Duct smoke detectors with power supply unit, sensor electronics, and sensor head
- Reset/Test push button
- Signal lamp, green – operation (system monitoring)
- Signal lamp, red – release (alarm)
- Signal lamp, yellow – pollution (indicates contamination)

Materials and surfaces

- Plastic casing

Installation and commissioning

- Installation (non-vibrating) in a duct to be monitored
- The duct smoke detector must be exposed to a uniform airflow
- Affix the drill template to the duct and drill the required holes (note the desired installation orientation)
- Screw the casing onto the duct using the supplied screws
- Unscrew the cover screws and remove the cover (upper part) of the casing
- Connect the duct smoke detector to the fire damper or smoke protection damper
- Connect any external functions, e.g. remote release (optional)
- Connect the mains
- Put the cover back on and tighten the cover screws

Standards and guidelines

- Building inspectorate licence Z-78.6-125 from the DIBt, Berlin, Germany
- Guideline regarding fire protection requirements on ventilation systems (Lüftungsanlagen-Richtlinie, LüAR)

Maintenance

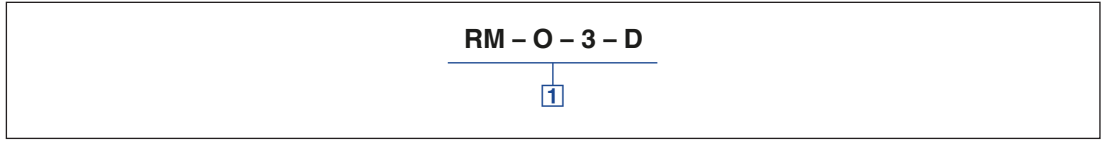
- The functional reliability of the duct smoke detector must be tested at least every 12 months; this has to be arranged by the owner of the ventilation system; functional tests must be carried out in compliance with the basic maintenance principles stated in EN 13306 and DIN 31051.
- Duct smoke detectors must be included in the regular cleaning schedule of the ventilation system
- For details on maintenance and inspection, refer to the installation and operating manual

Technical data

EMC immunity to	EN 61000-6-1, EN 61000-6-2, EN 61000-6-3, EN 61000-6-4
Supply voltage	230 V AC +10/-15 %, 50/60 Hz or 24 V DC ± 6 %
Power rating	3 VA
Micro fuse	T 100 L 250 V
IP protection level	IP 42
Ambient temperature	0 – 60 °C
Permitted airflow velocity	1 – 20 m/s
Acceptable humidity	≤ 90 % relative humidity, non-condensing
Alarm threshold for increased contamination	> 70 %
System monitoring	> 90 %; no smoke detector; smoke detector data transmission error
Alarm relay contact (release, contamination)	250 V 2 A, 24 V DC 100 W
Weight	Approx. 0.7 kg

Order code

RM-O-3-D



1 Type

RM-O-3-D Duct smoke detector

Order example

RM-O-3-D

Make

TROX

Type

RM-O-3-D

Item

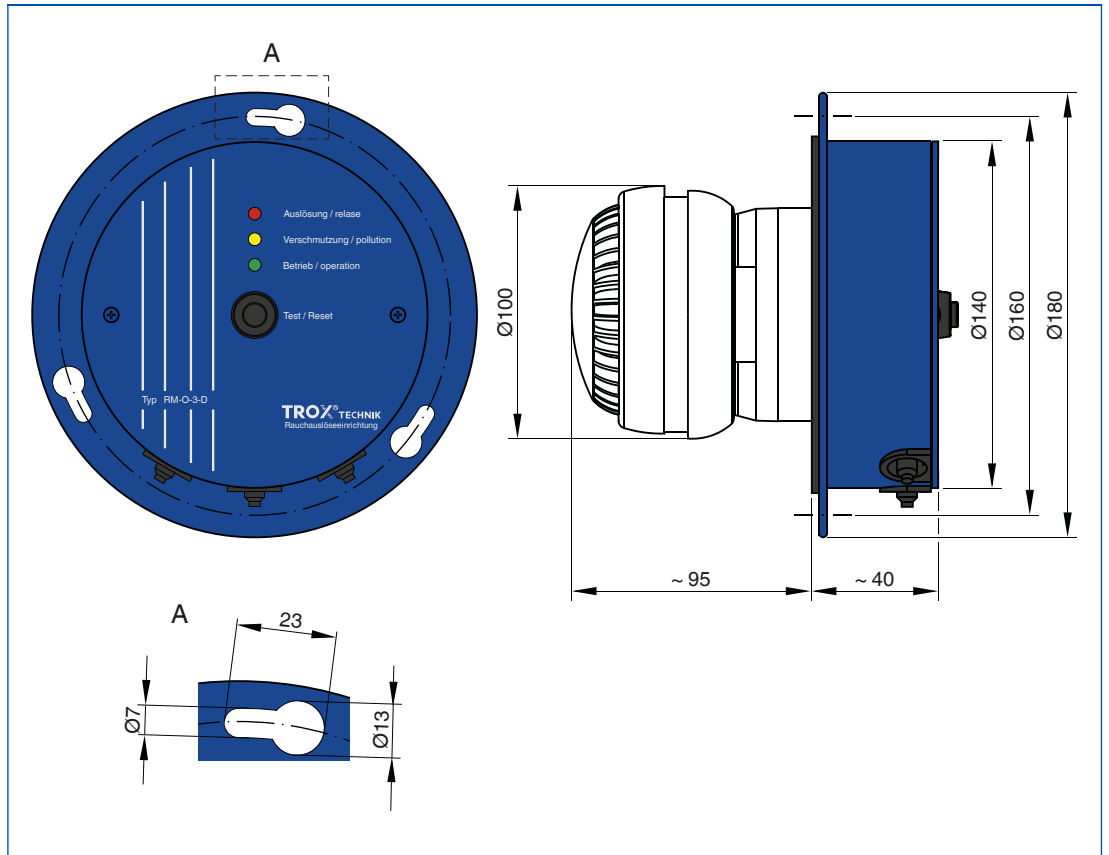
5

Dimensions

Dimensional drawing of RM-O-3-D



Duct smoke detector
RM-O-3-D



Description

This specification text describes the general properties of the product. Texts for variants can be generated with our Easy Product Finder design programme.

Duct smoke detector (smoke detection based on the principle of light scattering) to prevent smoke from spreading through the ducts of ventilation and air conditioning systems. For controlling and releasing fire dampers and smoke protection dampers with general building inspectorate licence and fitted with an electric or electric-pneumatic release mechanism (power off to close).

Special characteristics

- Smoke detection based on the principle of light scattering
- For airflow velocities from 1 to 20 m/s
- For any airflow direction
- Can be fitted onto the FK-EU
- With volt-free signal and alarm relays
- Integral signal lamps
- Contamination level indicator and automatic adjustment of the alarm threshold, hence long service life
- Can be used with products of any make or model
- Annual maintenance

Materials and surfaces

- Plastic casing

Technical data

- EMC immunity to EN 61000-6-1, EN 61000-6-2, EN 61000-6-3, EN 61000-6-4
- Supply voltage: 230 V AC +10/-15 %, 50/60 Hz or 24 V DC \pm 6 %
- Power rating: 3 VA
- Micro fuse: T 100 L 250 V
- IP protection level: IP 42
- Ambient temperature: 0 – 60 °C
- Airflow velocity: 1 – 20 m/s
- Humidity: \leq 90 % relative humidity, non-condensing
- Alarm threshold for increased contamination: > 70 %
- System monitoring: > 90 %; no smoke detector; smoke detector data transmission error
- Alarm relay contact (release, contamination): 250 V 2 A, 24 V DC 100 W
- Weight: approx. 0.7 kg

Sizing data

- \dot{V} _____ [m³/h]
- Δp_{st} _____ [Pa]
- L_{WA} Air-regenerated noise _____ [dB(A)]

Order options

Type

- RM-O-3-D** Duct smoke detector

Duct smoke detectors

Basic information and nomenclature



- Product selection
- Colour codes according to IEC 60757

Duct smoke detectors

Basic information and nomenclature

Product selection

Duct smoke detectors

	Duct smoke detectors	
	RM-O-VS-D	RM-O-3-D
Annual inspection	●	●
Volume flow rate monitoring	●	
Supply voltage: 24 V DC		●
Installation onto FK-EU		●
Integral LON bus interface	●	
Connection to TNC-EASYCONTROL	●	●
Connection to TROXNETCOM-AS-i	●	●
●	Possible	
	Not possible	

3

Wiring

Colour codes according to IEC 60757

Code	Colour
BK	black
BN	brown
RD	red
OG	orange
YE	yellow
GN	green
BU	blue

Colour codes according to IEC 60757

Code	Colour
VT	violet
GY	grey
WH	white
PK	pink
TQ	turquoise
GNYE	green-yellow